

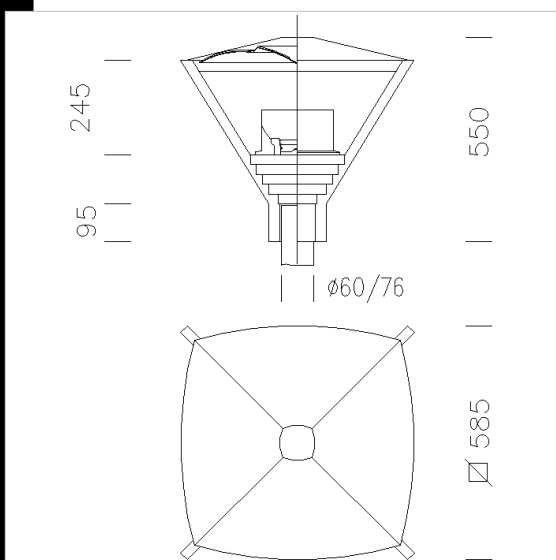


### 1598 Vista - indirect light

Housing/cover: In die-cast aluminium.  
 Diffuser: In vandal resistant and V2 self-extinguishing polycarbonate, UV-stabilized, anti-yellowing, smooth and clear both inside and out.  
 Reflector: Upper part in 6/8  $\mu$  thick anodized, pressed 99.85 aluminium, polished for high luminous efficiency. Lower part high-gloss plated.  
 Painting: the standard liquid immersion coating consists of a first metal surface pre-treatment stage, a successive epoxy cataphoresis corrosion and salt resistant coating, and a final layer of bi-component acrylic liquid UV-stabilised coating.  
 Lampholder: In ceramics, with silver plated contacts. Socket E40.  
 Electric gear: 230V/50Hz supply with thermal protection. Silicone wired terminated in admiralty brass; silicone double insulation; cross-section: 1 sqmm. 2P terminal block (maximum allowed lead cross-section: 2.5 sqmm).  
 Equipment: Fiberglass nylon cable gland  $\varnothing$  1/2 gas thread (cable min  $\varnothing$  9 max  $\varnothing$  12). Environment-friendly gasket. Removable control gear tray with lampholder, in fiberglass nylon. Complete with knife switch.  
 Mounting: On pole  $\varnothing$  76/60 mm or arm.  
 Regulations: Produced according to applicable EN60598-1 CEI 34-21 standards, IP65IK08 degree of protection according to EN 60529 standards. It has been granted the ENEC European Certificate of Conformity.  
 Insulation class II.  
 Non-polluting louvre, ideal for installation in zone 2 (UNI10819).  
 Wind surface: 1800 sqcm.

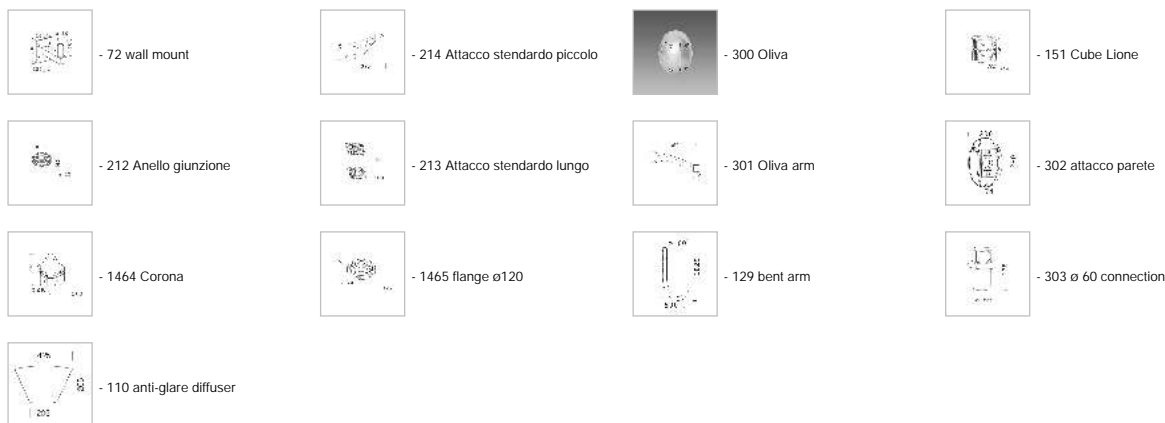
#### Download

- DXF 2D  
- 1598.dxf
- 3DS  
- disano\_1598\_vista.3ds
- 3DM  
- disano\_1598\_vista.3dm
- Montaggi  
- vista classic.pdf



Code	Gear	Kg	Lumen-K-CRI	WTot	Base	Colour
422256-00	CNR-L	13.30	JM-TS 150-12000lm-4000K-Ra 1b	157 W	Rx7s	GRAPHITE
422257-00	CNR-L	13.30	JM-TS 250-22000lm-3200K-Ra 1b	277 W	FC2	GRAPHITE
422253-00	CELL-F	12.80	SAP-TS 150-15000lm-2000K-Ra 4	157 W	Rx7s	GREY9007
422258-00	CNR-L	13.30	JM-TS 250-22000lm-3200K-Ra 1b	277 W	FC2	GREY9007
422254-00	CNR-L	13.30	JM-TS 150-12000lm-4000K-Ra 1b	157 W	Rx7s	GREY9007
422255-00	CNR-L	12.80	SAP-TS 150-15000lm-2000K-Ra 4	157 W	Rx7s	GRAPHITE

#### Accessories



The reported luminous flux is the flux emitted by the light source with a tolerance of  $\pm$  10% compared to the indicated value. The W tot column indicates the total wattage absorbed by the system without exceeding 10% of the indicated