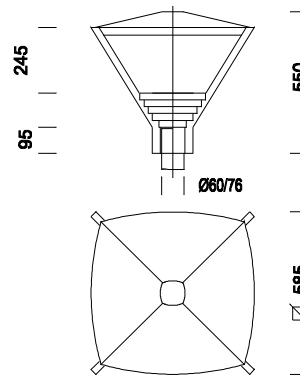


1595 Vista - with opal diffuser



Code	Gear	Kg	Colour	Dimensions	lamp
422268-00	CNR-L	10.80	al. track	585x585x550	SAP-E 100-E40-9500lm-2000K-Ra 4
422270-00	CNR-L	13.10	al. track	585x585x550	JM-T 250-E40-20000lm-5200k-Ra 1a
422261-00	CNR-L	10.80	graphite	585x585x550	SAP-E 100-E40-9500lm-2000K-Ra 4
422262-00	CNR-L	13.10	graphite	585x585x550	JM-T 250-E40-20000lm-5200k-Ra 1a
4222271-00	CNR-L	12.30	graphite	585x585x550	JM-T 150-E40-14000lm-4000K-Ra 1b
422263-00	CNR-L	12.30	al. track	585x585x550	JM-T 150-E40-14000lm-4000K-Ra 1b

Housing/cover: In die-cast aluminium.

Diffuser: In vandal resistant and V2 self-extinguishing polycarbonate, UV-stabilized, anti-yellowing, smooth and opal.

Painting: In several stages. First stage: black epoxy cationic electrocoating, resistant to corrosive and saline environments. Second stage: UV ray stabilizing priming, and lastly rough finish with acrylic resin, gris graphite or sand blasted silver

Lampholder: In ceramics, with silver plated contacts. Socket E40.

Electric gear: 230V/50Hz supply with thermal protection. Silicone wired terminated in admiralty brass; silicone double insulation; cross-section: 1 sqmm. 2P terminal block (maximum allowed lead cross-section: 2.5 sqmm).

Equipment: Fiberglass nylon cable gland Ø 1/2 gas thread (cable min Ø 9 max Ø 12). Environment-friendly gasket. Removable control gear tray with lampholder, in fiberglass nylon. Complete with knife switch.

Mounting: On pole Ø 76/60 mm or arm.

Regulations: Produced according to applicable EN60598-1 CEI 34-21 standards, IP65IK08 degree of protection according to EN 60529 standards. It has been granted the ENEC European Certificate of Conformity.

Insulation class II.

Non-polluting louvre, ideal for installation in zone 3 (UNI10819).

Wind surface: 1800 sqcm.