



## 1504 Clima

Housing: In die-cast aluminium.

Cover: In sheet aluminium, painted black outside, white inside.

Diffuser: In vandal resistant and V2 self-extinguishing polycarbonate, UV-stabilized, smooth and clear both inside and outside. The diffuser houses a louvre to direct the light beam downwards.

Painting: the standard liquid immersion coating consists of a first metal surface pre-treatment stage, a successive epoxy cataphoresis corrosion and salt resistant coating, and a final layer of bi-component acrylic liquid UV-stabilised coating.

Lampholder: In polycarbonate, with phosphor bronze contacts FLC. In ceramics, with silver-plated contacts.

Electric gear: 230-240V/50Hz power supply. Silicone wire terminated with clamps in admiralty brass, 1.0 sqmm cross section. 2P terminal block with maximum allowed lead cross section of 2.5 sqmm.

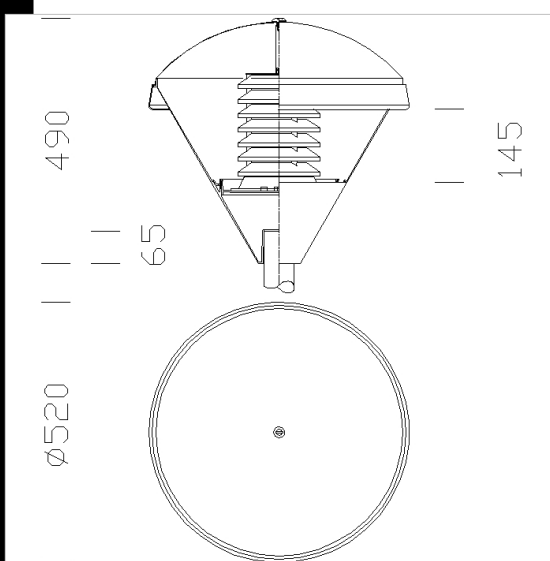
Equipment: 6.3 A protective fuse. Cable gland in fiberglass nylon Ø 1/2 gas thread.

Regulations: Produced according to applicable EN60598-1 CEI 34-21 standards, IP65IK08 degree of protection according to EN 60529 standards. It has been granted the ENEC European Certificate of Conformity. Isolation class II.

Non-polluting louvre, ideal for installation in UNI10819 zone 3 (can be adapted for zone 2 with accessory available on request).

Wind surface: 1506 sqcm.

SAP-E70 use lamp with built-in igniter



### Download

DXF 2D  
- 1504.dxf

3DS  
- disano\_1504\_clima.3ds

3DM  
- disano\_1504\_clima.3dm

Montaggi  
- polar\_clima.pdf

Code	Gear	Kg	Lumen-K-CRI	WTot	Base	Colour
422342-00	CNR-F	6,00	SAP-E 100-9500lm-2000K-Ra 4	114 W	E40	GRAFITE
422344-00	CNRL-F	5,70	JM-E 100-9000lm-3200K-Ra 2a	114 W	E27	GRAFITE
422214-00	CNR-F	5,24	SAP-E 100-9500lm-2000K-Ra 4	114 W	E40	GREY9007
422341-00	CNR-F	4,60	SAP-E 70-5600lm-2000K-Ra 4	82 W	E27	GRAFITE
422343-00	CELL-F	4,10		44 W		GRAFITE
422215-00	CNR-F	4,68	SAP-E 70-5600lm-2000K-Ra 4	82 W	E27	GREY9007

### Accessori



- 72 wall mount



- 214 Attacco standard piccolo



- 211 connector Sector



- 300 Oliva



- 151 Cube Lione



- 212 Anello giunzione



- 213 Attacco standard lungo



- 301 Oliva arm



- 302 attacco parete



- 1464 Corona



- 1465 flange ø120



- 303 ø 60 connection



- 1362 upward arm



- 1365 flange ø100



- 1364 Corona ø100



- 1462 upward arm

The reported luminous flux is the flux emitted by the light source with a tolerance of ± 10% compared to the indicated value. The W tot column indicates the total wattage absorbed by the system without exceeding 10% of the indicated