

1502 Polar



Housing: In die-cast aluminium.

Cover: In aluminium sheet.

Diffuser: In vandal resistant and V2 self-extinguishing polycarbonate, UV-stabilized. Finished internally with longitudinal faceting and micro-matt surface to better control dazzle and provide higher light diffusion. The smooth outside finish facilitates cleaning to always achieve the highest efficiency.

Painting: the standard liquid immersion coating consists of a first metal surface pre-treatment stage, a successive epoxy cataphoresis corrosion and salt resistant coating, and a final layer of bi-component acrylic liquid UV-stabilised coating.

Lampholder: In polycarbonate, with phosphor bronze contacts (FLC). In ceramics, with silver-plated contacts.

Electric gear: 230-240V/50Hz power supply. Silicone wire terminated with clamps in admiralty brass, 1.0 sqmm cross section. 2P terminal block with maximum allowed lead cross section of 2.5 sqmm.

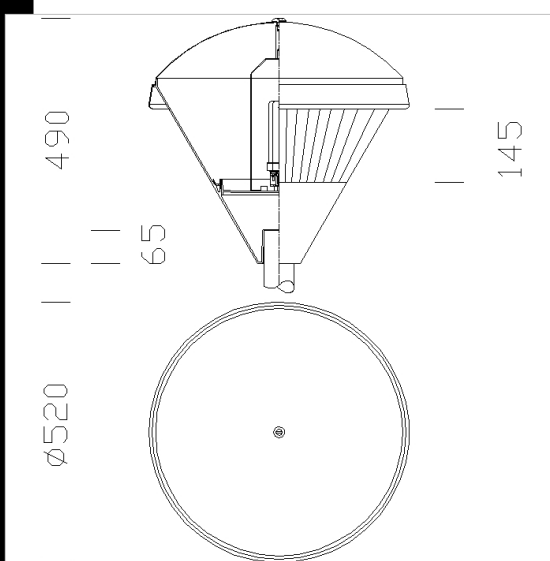
Equipment: 6.3 A protective fuse. Cable gland in fiberglass nylon Ø 1/2 gas thread.

Regulations: Produced according to applicable EN60598-1 CEI 34-21 standards, IP65IK08 degree of protection according to EN 60529 standards. It has been granted the ENEC European Certificate of Conformity. Isulation class II.

Non-polluting louvre, ideal for installation in zone 3 (UNI10819).

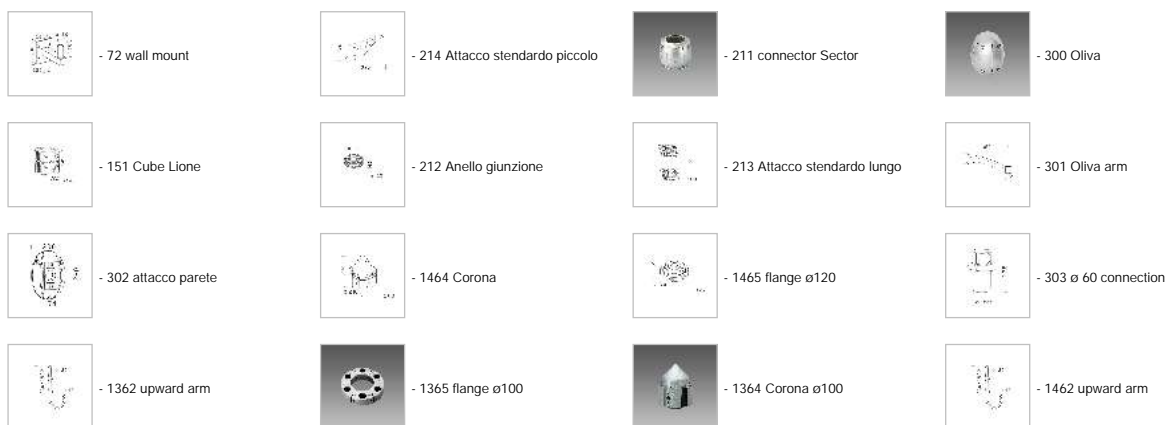
Wind surface: 1506 sqcm.

SAP-E70 use lamp with built-in igniter



Code	Gear	Kg	Lumen-K-CRI	WTot	Base	Colour
412128-00	S	0,00	MAX 60---	0 W	E27	GRAFITE
422133-00	CNRL-F	4,80	JM-E 100-9000lm-3200K-Ra 2a	114 W	E27	GRAFITE
422130-00	CNR-F	4,80	SAP-E 70-5600lm-2000K-Ra 4	82 W	E27	GRAFITE
422132-00	CELL-F	4,50		44 W		GRAFITE
422113-00	CNR-F	4,80	SAP-E 70-5600lm-2000K-Ra 4	82 W	E27	GREY9007
422114-00	CNR-F	4,90	SAP-E 100-9500lm-2000K-Ra 4	114 W	E40	GREY9007
422131-00	CNR-F	4,78	SAP-E 100-9500lm-2000K-Ra 4	114 W	E40	GRAFITE

Accessori



Download

DXF 2D
- 1502.dxf

3DS
- disano_1502_polar.3ds

3DM
- disano_1502_polar.3dm

Montaggi
- polar_clima.pdf

The reported luminous flux is the flux emitted by the light source with a tolerance of ± 10% compared to the indicated value. The W tot column indicates the total wattage absorbed by the system without exceeding 10% of the indicated