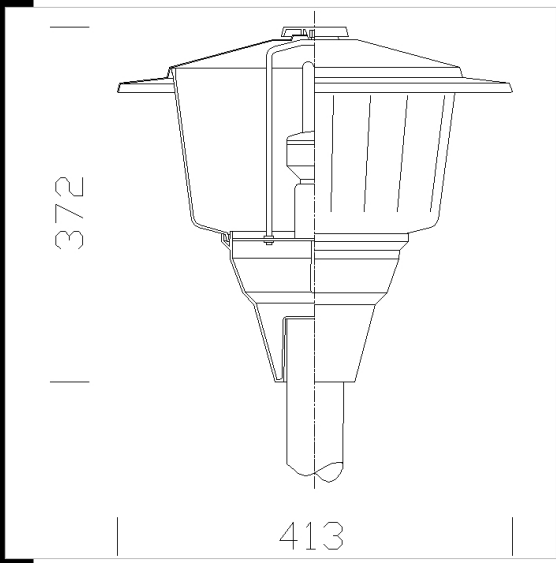


Download  
DXF 2D  
- d1203.dxf

## 1203 Kenia



Housing: In die-cast aluminium.  
Cover: In sheet aluminium.  
Diffuser: polycarbonate diffuser on request.  
Painting: In several stages. First stage: black epoxy cationic electrocoating, upon chromate treatment, resistant to corrosive and saline environments. Second stage: UV-stabilizing primer. Last stage: acrylic coating to obtain a rough finish. Louvre and inside of the cover are painted by acrylic anionic electrocoating, white, UV-stabilized.  
Lampholder: In polycarbonate, with phosphor bronze contacts. Socket E27: 2G11  
Electric gear: 230V/50Hz power supply complete with conventional ballast. Hard wire, 0.50 sqmm cross section and PVC-HT sheath, resistant up to 90°C, according to CEI 20-20 standards, or silicone wire terminated with clamps in admiralty brass, with glass braid, 1.0 sqmm cross section. 2P+T polycarbonate terminal block with maximum allowed lead cross section of 2.5 sqmm.  
Mounting: On Ø 60 mm pole or arm.  
Regulations: Produced according to applicable EN60598-1 CEI 34-21 standards, IP44IK08 degree of protection according to EN 60529 standards  
Lamp: Version complete with FLC energy saving lamp. Made for lamps fitting E27 sockets  
Wind surface: 640 sqcm.



Code	Gear	Kg	Watt	Base	Lamps	Colour
422005-00	S	1,85	MAX 100	E27	--	GRAPHITE
422002-00	S	1,85	MAX 100	E27	--	GREEN
422022-00	CELL	2,69	FLC 2x18L	2G11	1200lm-4000K-Ra 1b	GREEN
422024-00	CELL	2,69	FLC 2x18L	2G11	1200lm-4000K-Ra 1b	GRAPHITE

### Accessori



### Pali

