

1589 Agadir



Housing: In die-cast aluminium, with wide cooling fins.
Reflector: Asymmetric in anodized polished and hammered 99.85 aluminium, 2µ thick.

Diffuser: Tempered glass, thermal shock and impact resistant.

Painting: In several stages. First stage: black epoxy cationic electrocoating, upon chromate treatment, resistant to corrosive and saline environments. Second stage: UV ray stabilizing priming, and lastly rough finish with black or sand blasted silver acrylic coating.

Lampholder: In ceramics, with silver-plated contacts. Socket Rx7s.

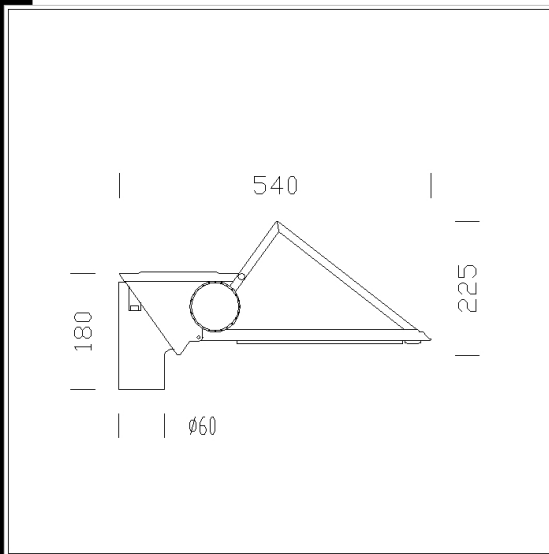
Electric gear: 230V/50Hz power supply with thermal protection. Silicone flexible wire terminated with quick-connect clamps in admiralty brass, glass braid, 1.0 sqmm cross-section. Nylon 2P terminal block with maximum allowed lead cross-section of 2.5 sqmm.

Equipment: Cable gland in fiber glass nylon Ø 1/2 gas thread. Removable gear tray. With protractor scale for aiming. Complete with knife switch. Retained screws.

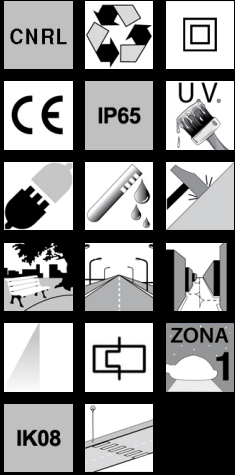
Regulations: Produced according to applicable EN60598-1 CEI 34-21 standards, IP65IK08 degree of protection in compliance with EN 60529 standards. Insulation Class II.

Non-polluting louvre, ideal for installation in zone 1 (UNI10819), with suitable inclination.

Wind surface: 570 sqcm.



Code	Gear	Kg	Lumen-K-CRI	WTot	Base	Colour
421569-00	CNR-L	9.56	JM-TS 150-12000lm-4000K-Ra 1b	157 W	Rx7s	GREY
421570-00	CNR-L	9.50	SAP-TS 150-15000lm-2000K-Ra 4	157 W	Rx7s	GREY



Download

- DXF 2D
- d1589.dxf
- 3DS
- disano_1589_agadir.3ds
- 3DM
- disano_1589_agadir.3dm
- Montaggi
- 1584-89_agadir.pdf

The reported luminous flux is the flux emitted by the light source with a tolerance of ± 10% compared to the indicated value. The W tot column indicates the total wattage absorbed by the system without exceeding 10% of the indicated