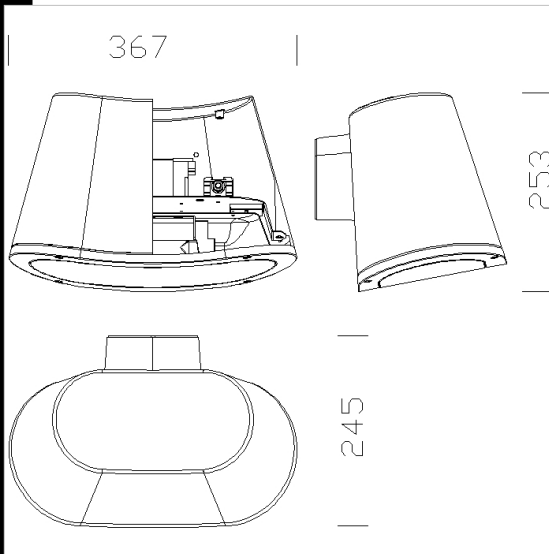




1286 Twin LED

Housing and front frame: In diecast aluminium.  
 Diffuser: In tempered glass, thermal shock and impact resistant.  
 Painting: the standard liquid immersion coating consists of a first metal surface pre-treatment stage, a successive epoxy cathaphoresis corrosion and salt resistant coating, and a final layer of bi-component acrylic liquid UV-stabilised coating.  
 Electric gear: 230V/50Hz supply with thermal protection. Hard wire, cross-section 0.50sqmm (FLC), PVC-HT sheath, or silicone wire terminated with quick-connection admiralty brass clamps; double fibreglass braid insulation. 2P+T terminal block (maximum allowed lead cross-section: 2.5 sqmm).  
 Standard supply: When open, the front frame stays attached to the housing by means of safety springs, for easy maintenance.  
 Equipment: Gasket in environment-friendly material. Waterproof rubber cable gland Ø 1/2 gas thread (cable min. Ø 9 max. Ø 12).  
 Regulations: Produced according to applicable EN60598-1 CEI 34 - 21 standards, IP65IK07 degree of protection to EN 60529 standards. This product can be installed on normally inflammable surfaces.  
 Article available until stocks are exhausted

- Download**
- DXF 2D  
- 1283.dxf
  - 3DS  
- disano\_1286\_twin.3ds
  - 3DM  
- disano\_1286\_twin.3dm
  - BIM  
- 1286 Twin LED - 20200616.zip  
- 1286 Twin LED - Pole mounting - 20200616.zip



Code	Gear	Kg	Lumen Output-K-CRI	WTot	Colour
421315-00	CLD CELL	3,63	LED-1400lm-3000K-CRI 80	9 W	GREY9007
421316-00	CLD CELL	3,65	LED-1400lm-3000K-CRI 80	9 W	GRAPHITE

Accessori



- 101 single-lamp pole mounting



- 102 two-lamp pole mounting



- 104 poles to be sunk into the



- 106 pole with base - ø102

The reported luminous flux is the flux emitted by the light source with a tolerance of ± 10% compared to the indicated value. The W tot column indicates the total wattage absorbed by the system without exceeding 10% of the indicated