



Download
DXF 2D
- d1201.dxf



1201 Giordania

Housing: In die-cast aluminium.

Cover: In sheet aluminium.

Diffuser: in scored matt polycarbonate, vandal resistant, V2 self-extinguishing, UV-stabilized, anti-yellowing.

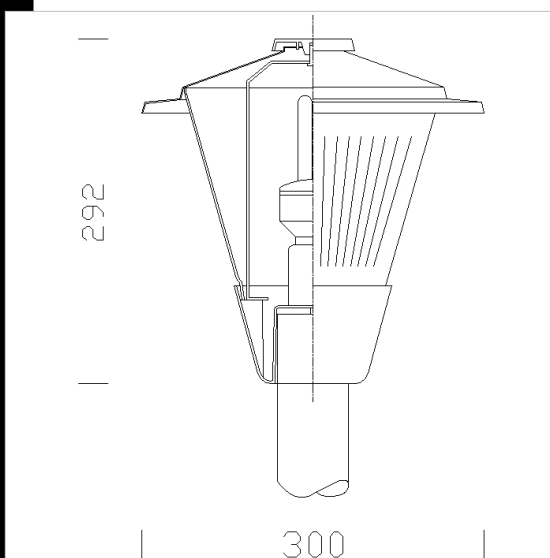
Painting: In several stages. First stage: black epoxy cationic electrocoating, resistant to corrosive and saline environments, successfully tested for the required 1000 hours ((UNI ISO 9227)). Second stage: UV-stabilizing primer. Last stage: acrylic coating to obtain a rough finish. Louvre and inside of the cover are painted by acrylic anionic electrocoating, white, UV-stabilized.

Lampholder: In polycarbonate, with phosphor bronze contacts.

Electric gear: 230V/50Hz power supply. Hard wire, 0.50 sqmm cross section, and PVC-HT sheath, resistant up to 90°C, according to CEI 20-20 standards, and silicone wire terminated with clamps in admiralty brass, with glass braid, 1.0 sqmm cross section. Polycarbonate 2P + T terminal block with maximum allowed lead cross section of 2.5 sqmm.

Mounting: On any Ø 60 mm pole or arm.

Regulations: Produced according to applicable EN60598-1 CEI 34-21 standards, IP44IK08 degree of protection according to EN 60529 standards
Wind surface: 440 sqcm.



Code	Gear	Kg	Watt	Base	Lamps	Colour
421011-00	S	0.96	MAX 100	E27	--	GREEN
421012-00	S	0.94	MAX 100	E27	--	GRAPHITE

Poll



- 1481 tapered steel lighting pole



- 1480 tapered steel lighting pole



- 5 fiberglass pole