



1281 Small

Housing: In white vandal resistant and V2 self-extinguishing polycarbonate, UV-stabilized.

Diffuser: In anti-glare, vandal resistant and V2 self-extinguishing matt polycarbonate, UV-stabilized, smooth outside, dustproof.

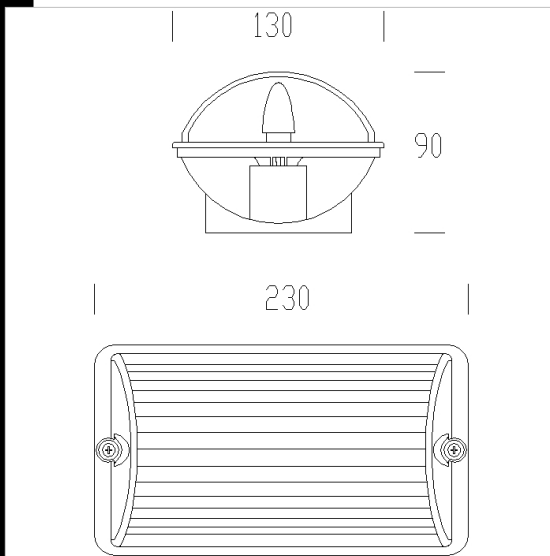
Mounting: Ceiling or wall.

Regulations: Produced according to applicable IEC 60598 -1 CEI 34 - 21 standards, IP65 degree of protection according to EN 60529 standards. They can be installed on normally inflammable surfaces. Double insulation.

LED: Power factor: 0,85 Luminous flux maintenance 80%: 50.000h (L80B20)

Download

DXF 2D
- 1289.dxf



Code	Gear	Kg	Lumen Output-K-CRI	WTot	Colour
420851-00	CLD CELL	0.47	LED-1063lm-4000K-CRI>80	9 W	GRIGIO

The reported luminous flux is the flux emitted by the light source with a tolerance of ± 10% compared to the indicated value. The W tot column indicates the total wattage absorbed by the system without exceeding 10% of the indicated