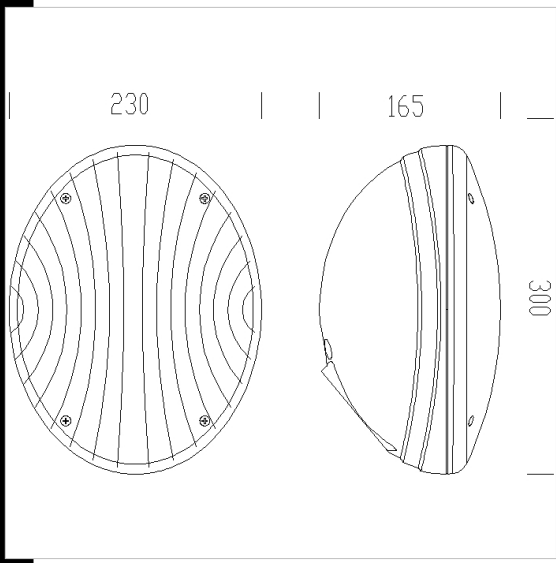


1287 Garden

Housing: fibreglass nylon stabilised against UV rays.
 Reflector: Mirror finish aluminium.
 Diffuser: Satin-finish polycarbonate, non-dazzle interior, shatterproof and self-extinguishing V2, stabilised against UV rays.
 Lampholder: Made of polycarbonate and with phosphorous bronze contacts.
 Wiring: 230V/50Hz power supply. 0.50 mm² cross-section, rigid cable. 2P+T terminal strip with maximum permitted cross-section of conductors: 2.5 mm².
 Complete with: Rubber cable gland (Ø9 minimum and Ø12 maximum cable). Steel, non-loss screws. Complete with angling plate.
 Standards: Products in compliance with EN60598 - CEI 34 - 21 standards. With protection in accordance with EN60529 standards.
 Wall mounting with bracket supplied as a standard feature.

Download
 DXF 2D
 - 1287.dxf
 Montaggi
 - garden.pdf



Code	Gear	Kg	Lumen-K-CRI	WTot	Base	Colour
420841-00	CELL	1.64	FLC 2x18L-1200lm-4000K-Ra 1b	38 W	2G11	NERO
420843-00	CELL	1.64	FLC 2x18L-1200lm-4000K-Ra 1b	38 W	2G11	ARGENTO SABBBIATO
420841-07	CELL-E	2.30	FLC 2x18L-1200lm-4000K-Ra 1b	22 W	2G11	NERO
420843-07	CELL-E	1.64	FLC 2x18L-1200lm-4000K-Ra 1b	22 W	2G11	ARGENTO SABBBIATO

Accessories



The reported luminous flux is the flux emitted by the light source with a tolerance of ± 10% compared to the indicated value. The W tot column indicates the total wattage absorbed by the system without exceeding 10% of the indicated