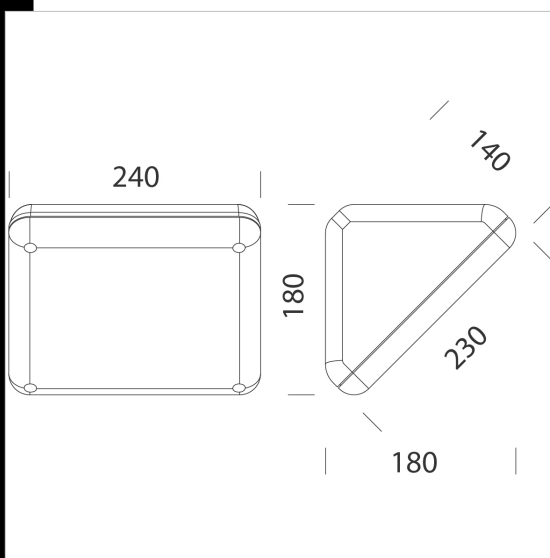


1260 Vega LED - SE 1h

Body: shatter-proof, UV-stabilized thermoplastic material, RAL7045 grey colour. Reflector: in aluminium. Diffuser: in internally matt, anti-glare, shatter-proof and V2 self-extinguishing, UV-stabilized polycarbonate. Equipment: bowl sealing in black expanded EPDM; external screws in galvanized stainless steel and black O-rings. Complete with fixing plate. Mounting: wall or pole(ø 60).

S.E. Emergency (Only emergency): in the event of a black-out the one lamp connected to the back-up circuit ignites, thus avoiding the inconvenience caused by a sudden absence of all light. Emergency run time: 60 minutes. When power is restored, the battery recharges automatically in 12 hours.



| Code | Gear | Kg | Lumen Output-K-CRI | WTot | Colour |
|-----------|-------|------|-------------------------------|------|--------|
| 420691-07 | CLD-E | 1,70 | LED-2010lm-4000K-350mA-CRI 80 | 17 W | GREY |

Accessori



- 1266 tilting joint



Download

DXF 2D
- 1260b.dxf

The reported luminous flux is the flux emitted by the light source with a tolerance of $\pm 10\%$ compared to the indicated value. The W tot column indicates the total wattage absorbed by the system without exceeding 10% of the indicated