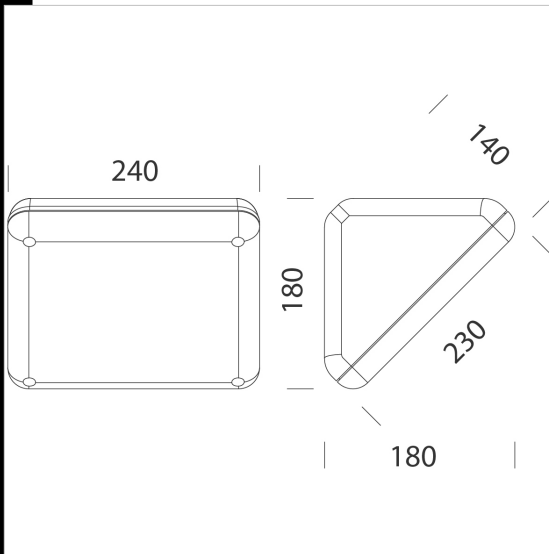




1260 Vega - Radar Sensor - 230V

Body: shatter-proof, UV-stabilized thermoplastic material, RAL7045 grey colour. Reflector: in aluminium. Diffuser: in internally matt, anti-glare, shatter-proof and V2 self-extinguishing, UV-stabilized polycarbonate. Equipment: bowl sealing in black expanded EPDM; external screws in galvanized stainless steel and black O-rings. Complete with fixing plate. Mounting: wall or pole(ø 60). luminous flux maintenance 70%: 50.000h (L70B50). Power factor 0.9.



Download

DXF 2D  
- 1260b.dxf

Code	Gear	Kg	Lumen Output-K-CRI	WTot	Colour
420690-19	CLD CELL	1,30	LED-2010lm-4000K-230V-CRI 80	14 W	GREY

Accessori



- 1266 tilting joint

The reported luminous flux is the flux emitted by the light source with a tolerance of  $\pm 10\%$  compared to the indicated value. The W tot column indicates the total wattage absorbed by the system without exceeding 10% of the indicated