

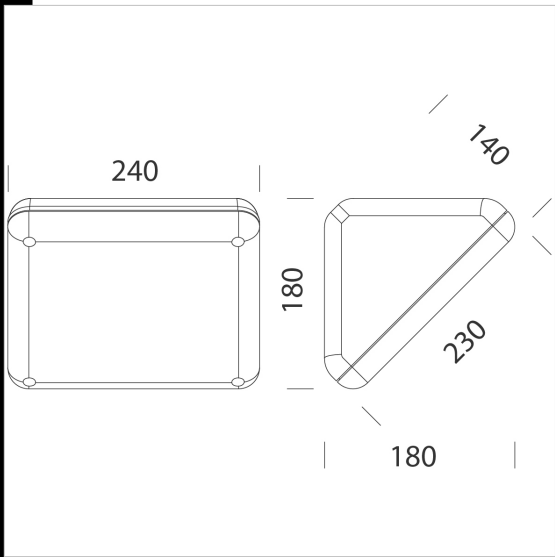


**Download**  
DXF 2D  
- 1260b.dxf  
Montaggi  
- vega 12-19.pdf  
BIM  
- 1260 Vega - 20200623.zip



**1260 Vega LED**

Body: shatter-proof, UV-stabilized thermoplastic material, RAL7045 grey colour. Reflector: in aluminium. Diffuser: in internally matt, anti-glare, shatter-proof and V2 self-extinguishing, UV-stabilized polycarbonate. Equipment: bowl sealing in black expanded EPDM; external screws in galvanized stainless steel and black O-rings. Complete with fixing plate. Mounting: wall or pole(ø 60). LED: 230V version: luminous flux maintenance 70%: 50.000h (L70B50). 350mA version: luminous flux maintenance 80%: 50.000h (L80B20). Power factor 0.9.



Code	Gear	Kg	Lumen Output-K-CRI	WTot	Colour
420690-00	CLD	1.24	LED-2010lm-4000K-230V-CRI 80	14 W	GREY
420691-00	CLD	1.26	LED-2010lm-4000K-350mA-CRI 80	17 W	GREY

**Accessories**



- 1266 tilting joint



- Self-adhesive pictograms -

The reported luminous flux is the flux emitted by the light source with a tolerance of ± 10% compared to the indicated value. The W tot column indicates the total wattage absorbed by the system without exceeding 10% of the indicated