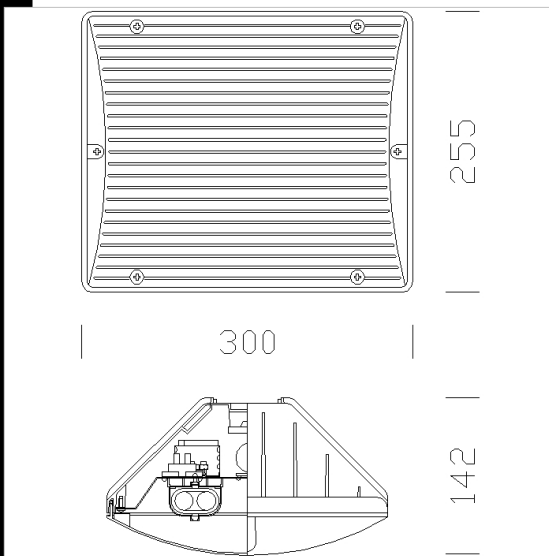


1260EM Vega

Housing: In fiberglass nylon, vandal resistant.
 Diffuser: In matt polycarbonate, anti-dazzle, vandal resistant and V2 self-extinguishing, UV-stabilized.
 Reflector: In hammered anodized, polished 99.85 aluminium.
 Lampholder: In polycarbonate, with contacts in phosphor bronze. Socket 2G11.
 Electric gear: 230-240V/50Hz power supply with conventional ballast. Hard wire, 0.50 sqmm cross section, PVC-HT sheath, resistant up to 90°C, according to CEI 20-20 standards. 2P+T terminal block, with maximum allowed lead cross section of 2.5 sqmm.
 Equipment: Gasket in environment-friendly material. Cable gland in f.g. nylon Ø 1/2 gas thread (cable min Ø 9 max Ø 12). Retained antivandal steel screws.
 Regulations: Produced according to applicable EN60598 -1 CEI 34-21 standards, IP65IK08 degree of protection according to EN 60529 standards. They have obtained the ENEC European Certificate of Conformity. These products can be installed on normally inflammable surfaces.

Download

DXF 2D
 - 1260vg.dxf
 Montaggi
 - 1260_vega.pdf



Code	Gear	Kg	Lumen-K-CRI	WTot	Base	Colour
420667-07	CELL-E	2,10	FLC 2x18L-1200lm-4000K-Ra 1b	41 W	2G11	BLACK
420668-07	CELL-E	2,10	FLC 2x18L-1200lm-4000K-Ra 1b	44 W	2G11	GREY

Accessori



- 1266 tilting joint

The reported luminous flux is the flux emitted by the light source with a tolerance of ± 10% compared to the indicated value. The W tot column indicates the total wattage absorbed by the system without exceeding 10% of the indicated