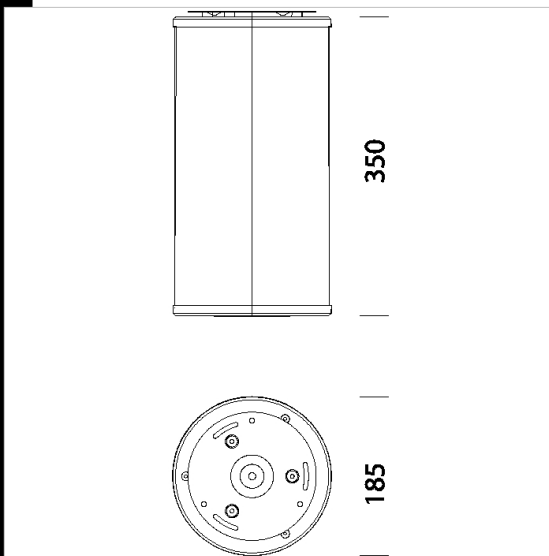


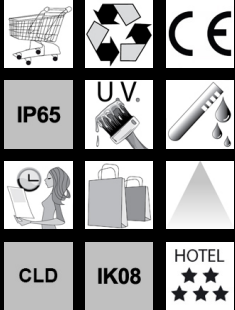


1392 Cilindro ceiling - COB

Housing: Die cast aluminium.
 Diffuser: 4 mm thick toughened glass, withstands thermal shocks and impacts.
 Painting: the standard liquid immersion coating consists of a first metal surface pre-treatment stage, a successive epoxy cataphoresis corrosion and salt resistant coating, and a final layer of bi-component acrylic liquid UV-stabilised coating.
 Standards: Products in compliance with EN60598 - CEI 34 - 21 standards. With protection in accordance with EN60529 standards.
 Ta-30+40°C life 50.000h to 80% L80B20
 Photobiological safety class: exempt group EN62471



Code	Gear	Kg	Lumen Output-K-CRI	WTot	Colour
420435-00	CLD	3.85	LED COB-1764lm-4000K-25°-CRI 90	28 W	GREY9007



Download

- DXF 2D
- 1390.dxf
- 3DS
- disano_1392_cilindro.3ds
- 3DM
- disano_1392_cilindro.3dm
- Montaggi
- mont_cilindro.dxf
- BIM
- 1392_Cilindro a plafone - COB - 20200611.zip

The reported luminous flux is the flux emitted by the light source with a tolerance of ± 10% compared to the indicated value. The W tot column indicates the total wattage absorbed by the system without exceeding 10% of the indicated