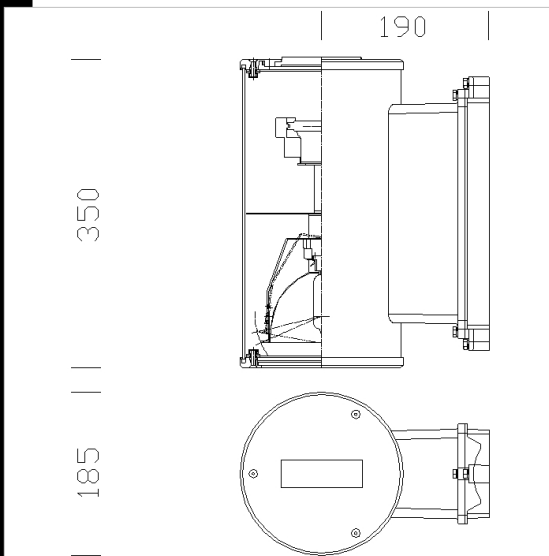


1291 Cilindro - direc indirect light with lens

Housing: Die cast aluminium.
 Diffuser: 4 mm thick toughened glass, withstands thermal shocks and impacts.
 Reflector: moulded, polished aluminium, or turned, anodically oxidised aluminium. Adjustable in direct light version.
 Painting: In various phases. The first phase involves immersion in grey epoxy cataphoresis, withstands corrosion and salt mists. The second phase applies an undercoat to stabilise against UV rays and the last phase provides a pressed metal finish using silver acrylic paint.
 Lampholder: In ceramic material and silver-plated contacts.
 Wiring: 230V/50Hz power supply with heat protection. Flexible cable, terminated with quick connector, tin-plated brass tips, Silicon insulation with glass braid. 3P terminal strip with 4 mm² maximum permitted cross-section of conductors. Double switch series
 Standards: Products in compliance with EN60598 - CEI 34 - 21 standards. With protection in accordance with EN60529 standards.



Download

- DXF 2D
- 1291.dxf
- 3DS
- disano_1291_cilindro.3ds
- 3DM
- disano_1291_cilindro.3dm
- Montaggi
- cilindro.pdf

Code	Gear	Kg	Watt	Base	Lamps	Colour
420422-01	CNR-L	7,00	CDM-T 70 + ALO 100	R7s	6600lm-3000K-Ra 1b	SANDBLASTED SILVER
420424-01	CNR-L	7,00	FLC 1x26T+ ALO 100		--	SANDBLASTED SILVER
420423-00	CNR-L	7,00	CDM-T 150 + ALO 100	G12+R7s	14000lm-3000K-Ra 1b	SANDBLASTED SILVER
420423-01	CNR-L	7,00	CDM-T 150 + ALO 100	G12+R7s	14000lm-3000K-Ra 1b	SANDBLASTED SILVER
420422-00	CNR-L	7,00	CDM-T 70 ALO 100	G12 R7s	6600lm-3000K-Ra 1b 1600lm-3000K-Ra 100	SANDBLASTED SILVER
420424-00	CELL	7,00	FLC 1x26T+ ALO 100		--	SANDBLASTED SILVER
420425-00	CELL	7,00	CDM-TM 20 + CDM-T 35	PGJ5+G12	3000K - 1650lm + 3000K - 3300lm - Ra 1b--	SANDBLASTED SILVER

Accessories



- 401 wall mounting



- 389 Pegaso wall mounted



- 388 double Pegaso



- 387 single Pegaso