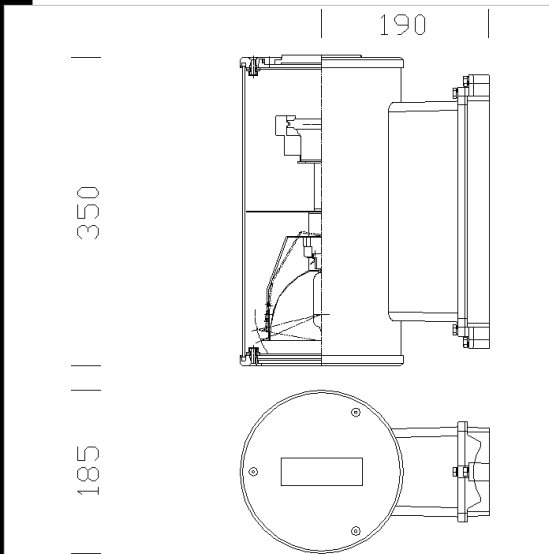


1291 Cilindro - direc indirect light with lens

Housing: Die cast aluminium.
 Diffuser: 4 mm thick toughened glass, withstands thermal shocks and impacts.
 Reflector: moulded, polished aluminium, or turned, anodically oxidised aluminium. Adjustable in direct light version.
 Painting: the standard liquid immersion coating consists of a first metal surface pre-treatment stage, a successive epoxy cataphoresis corrosion and salt resistant coating, and a final layer of bi-component acrylic liquid UV-stabilised coating.
 Lampholder: In ceramic material and silver-plated contacts.
 Wiring: 230V/50Hz power supply with heat protection. Flexible cable, terminated with quick connector, tin-plated brass tips, Silicon insulation with glass braid. 3P terminal strip with 4 mm² maximum permitted cross-section of conductors. Double switch series
 Standards: Products in compliance with EN60598 - CEI 34 - 21 standards. With protection in accordance with EN60529 standards.



Download

- DXF 2D
- 1291.dxf
- 3DS
- disano_1291_cilindro.3ds
- 3DM
- disano_1291_cilindro.3dm
- Montaggi
- cilindro.pdf

Code	Gear	Kg	Lumen-K-CRI	WTot	Base	Colour
420423-00	CNR-L	7.00	CDM-T 150 + ALO 100-14000lm-3000K-Ra 1b	265 W	G12+R7s	GREY9007
420422-00	CNR-L	7.00	CDM-T 70-6600lm-3000K-Ra 1b ALO 100-1600lm-3000K-Ra 100	185 W	G12 R7s	GREY9007
420424-00	CELL	7.00	FLC 1x26T+ ALO 100---	8 W		GREY9007
420425-00	CELL	7.00	CDM-TM 20 + CDM-T 35-3000K-1650lm + 3000K-3300lm-Ra 1b--	66 W	PGJ5+G12	GREY9007

Accessories



- 401 wall mounting



- 389 Pegaso wall mounted



- 388 double Pegaso



- 387 single Pegaso

The reported luminous flux is the flux emitted by the light source with a tolerance of ± 10% compared to the indicated value. The W tot column indicates the total wattage absorbed by the system without exceeding 10% of the indicated