



Download

- DXF 2D
- 1293g.dxf
- 3DS
- disano_1293_cilindro.3ds
- 3DM
- disano_1293_cilindro.3dm
- Montaggi
- cilindro 1.pdf
- cilindro.pdf
- pegaso.pdf
- 1293pegaso.dxf
- BIM
- 1293_Cilindro 4 - 20200611.zip



1293 Cilindro 4

Based on the accurate analysis of every minute detail, Cilindro is characterized by excellent finishes and light output.

Its modular use highlights empty spaces and volumes, external architectural details, and adds rhythm to the surfaces in prestigious interiors

Housing: Die cast aluminium.

Diffuser: 4 mm thick toughened glass, withstands thermal shocks and impacts.

Painting: the standard liquid immersion coating consists of a first metal surface pre-treatment stage, a successive epoxy cataphoresis corrosion and salt resistant coating, and a final layer of bi-component acrylic liquid UV-stabilised coating.

Gear: temperature control device inside the lamp with automatic recovery.

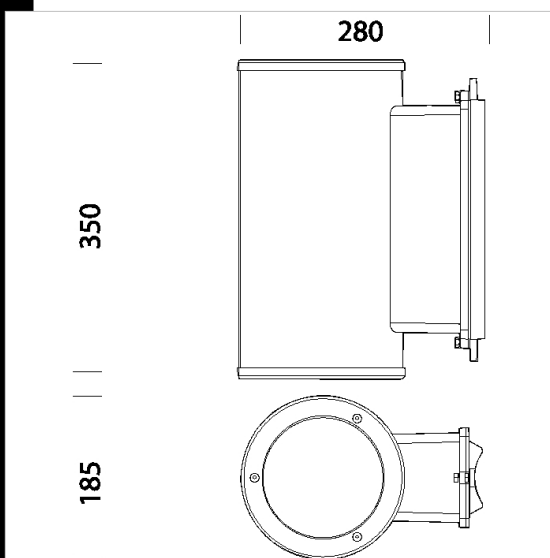
Safety diode to protect against voltage peaks pursuant to EN61547.

Standards: Products in compliance with EN60598 - CEI 34 - 21 standards.

With protection in accordance with EN60529 standards.

life 50.000h at 70% L70B50.

Photobiological safety class: exempt group EN62471.



Code	Gear	Kg	Lumen Output-K-CRI	WTot	Colour
420427-00	CLD	5,43	LED-1897lm-4000K-CRI 90	42 W	GREY9007
420410-00	CLD	5,46	LED-2663lm-4000K-CRI 90	42 W	GREY9007
420410-73	CLD	5,42	LED COB AMBER-2096lm-2200K-amber-	40 W	GREY9007

Accessori



- 389 Pegaso wall mounted



- 401 wall mounting



- 388 double Pegaso



- 387 single Pegaso

Pali



- 1487 poles to be sunk into the ground ø102



- 1485 pole with base ø102

The reported luminous flux is the flux emitted by the light source with a tolerance of ± 10% compared to the indicated value. The W tot column indicates the total wattage absorbed by the system without exceeding 10% of the indicated