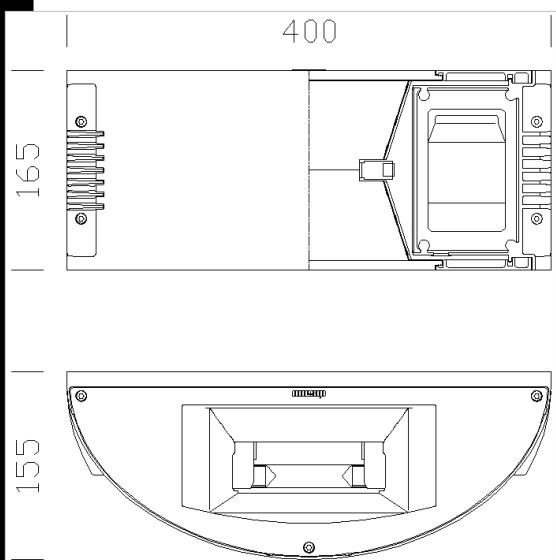


1295 Onda 1 - direct or indirect light

Housing/Frame: in die-cast aluminium.  
 Reflector: hammered 99.85 aluminium, anodically oxidised and polished  
 Diffuser: tempered glass, 8 mm thick, resistant to impact and thermal shock.  
 Coating: in several stages. Epoxy cationic electrocoating, resistant to corrosion and saline environments. Second stage: UV stabilising priming, followed by a sandblasted silver or white acrylic paint finish.  
 Electric gear: 230V/50Hz power supply with heat protection.  
 Standard supply: when changing the lamp, the frame remains attached to the fixture through steel safety straps.

Download

- DXF 2D  
- 1295.dxf
- 3DS  
- disano\_1295\_onda.3ds
- 3DM  
- disano\_1295\_onda.3dm
- Montaggi  
- onda.pdf



Code	Gear	Kg	Watt	Base	Lamps	Colour
420310-01	CNR-L	4,00	JM-TS 70	Rx7s	6500lm-4200K-Ra 1b	SANDBLASTED SILVER
420317-01	CNR-L	5,40	JM-TS 70	Rx7s	6500lm-4200K-Ra 1b	WHITE
420318-01	CNR-L	6,44	JM-TS 150	Rx7s	12500lm-4200K-Ra 1b	WHITE
420311-01	CNR-L	6,40	JM-TS 150	Rx7s	12500lm-4200K-Ra 1b	SANDBLASTED SILVER
421623-01	CNR-L	0,00	FLC 1x26D	G24d-3	1800lm-4000K-Ra 1b	
420323-01	CNR-L	0,00	FLC 1x26D	G24d-3	1800lm-4000K-Ra 1b	WHITE
420319-00	CNR-L	5,40	HCI-TS 70	Rx7s	6900lm-3000K-Ra 1b	WHITE
420320-00	CNR-L	6,44	HCI-TS 150	Rx7s	14500lm-3000K-Ra 1b	WHITE
420323-00	CELL	4,40	FLC 1x26D/E	G24q-3	1800lm-4000K-Ra 1b	WHITE
420312-00	CNR-L	5,38	HCI-TS 70	Rx7s	6900lm-3000K-Ra 1b	SANDBLASTED SILVER
420317-00	CNR-L	5,40	JM-TS 70	Rx7s	6500lm-4200K-Ra 1b	WHITE
420318-00	CNR-L	6,44	JM-TS 150	Rx7s	12500lm-4200K-Ra 1b	WHITE
420311-00	CNR-L	6,40	JM-TS 150	Rx7s	12500lm-4200K-Ra 1b	SANDBLASTED SILVER
420316-00	CELL	4,40	FLC 1x26D/E	G24q-3	1800lm-4000K-Ra 1b	SANDBLASTED SILVER
420310-00	CNR-L	5,38	JM-TS 70	Rx7s	6500lm-4200K-Ra 1b	SANDBLASTED SILVER
420313-00	CNR-L	6,40	HCI-TS 150	Rx7s	14500lm-3000K-Ra 1b	SANDBLASTED SILVER

Accessories



- 500 Onda bracket



- 501 Onda bracket