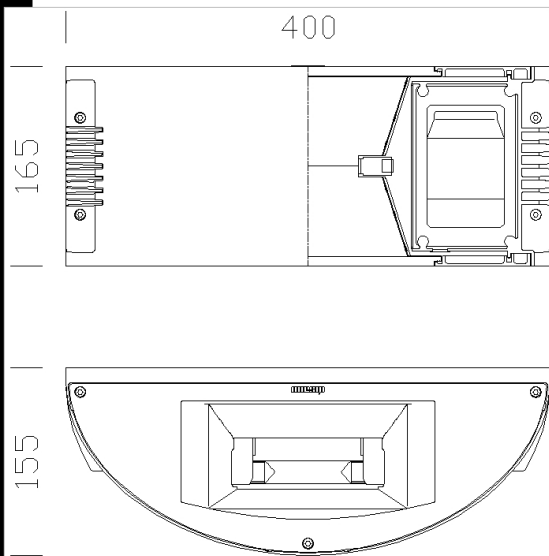


1295 Onda 1 - direct or indirect light

Housing/Frame: in die-cast aluminium.
 Reflector: hammered 99.85 aluminium, anodically oxidised and polished
 Diffuser: tempered glass, 8 mm thick, resistant to impact and thermal shock.
 Coating: the standard liquid immersion coating consists of a first metal surface pre-treatment stage, a successive epoxy cataphoresis corrosion and salt resistant coating, and a final layer of bi-component acrylic liquid UV-stabilised coating.
 Electric gear: 230V/50Hz power supply with heat protection.
 Standard supply: when changing the lamp, the frame remains attached to the fixture through steel safety straps.

Download

- DXF 2D
- 1295.dxf
- 3DS
- disano_1295_onda.3ds
- 3DM
- disano_1295_onda.3dm
- Montaggi
- onda.pdf



Code	Gear	Kg	Lumen-K-CRI	WTot	Base	Colour
420319-00	CNR-L	5.40	HCI-TS 70-6900lm-3000K-Ra 1b	85 W	Rx7s	WHITE
420320-00	CNR-L	6.44	HCI-TS 150-14500lm-3000K-Ra 1b	160 W	Rx7s	WHITE
420323-00	CELL	4.40	FLC 1x26D/E-1800lm-4000K-Ra 1b	27 W	G24q-3	WHITE
420312-00	CNR-L	5.38	HCI-TS 70-6900lm-3000K-Ra 1b	85 W	Rx7s	GREY9007
420317-00	CNR-L	5.40	JM-TS 70-6500lm-4200K-Ra 1b	92 W	Rx7s	WHITE
420318-00	CNR-L	6.44	JM-TS 150-12500lm-4200K-Ra 1b	166 W	Rx7s	WHITE
420311-00	CNR-L	6.40	JM-TS 150-12500lm-4200K-Ra 1b	166 W	Rx7s	GREY9007
420316-00	CELL	4.40	FLC 1x26D/E-1800lm-4000K-Ra 1b	27 W	G24q-3	GREY9007
420310-00	CNR-L	5.38	JM-TS 70-6500lm-4200K-Ra 1b	92 W	Rx7s	GREY9007
420313-00	CNR-L	6.40	HCI-TS 150-14500lm-3000K-Ra 1b	160 W	Rx7s	GREY9007

Accessories



- 500 Onda bracket



- 501 Onda bracket

The reported luminous flux is the flux emitted by the light source with a tolerance of ± 10% compared to the indicated value. The W tot column indicates the total wattage absorbed by the system without exceeding 10% of the indicated