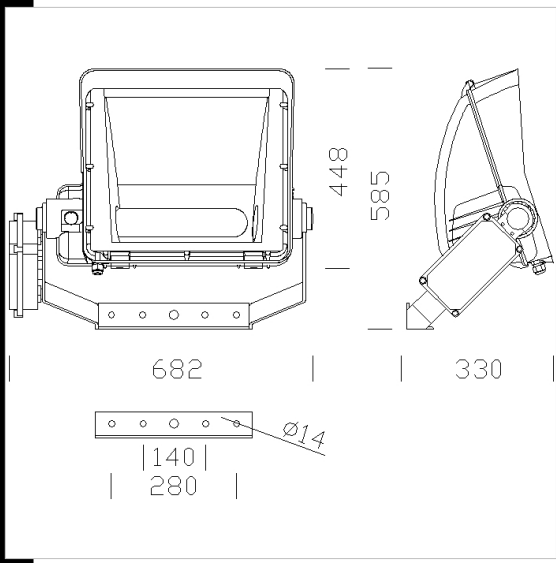


1829 Mini-Olympic - asymmetric - narrow beam

Housing/Cover: in die-cast aluminium with cooling fins. Hinge opening, with stainless steel sealing latches.
 Diffuser: tempered glass, 5 mm thick, resistant to thermal shocks and impacts (UNI EN 12150-1:2001 tests). Glass tilted by 18° to obtain high optical asymmetry efficiency and maximum intensity.
 Coating: polyester resin based powder paint, resistant to corrosion and saline environments.
 Power supply: 230V/50Hz (1000W). Wire terminated with admiralty brass clamps, silicone insulation with fibreglass braid, cross-section 2.5 sqmm. 2P+T terminal block, maximum allowed lead cross section, 6 sqmm.
 Standard supply: tool-free maintenance operations. Disconnecting switch supplied to interrupt the line during maintenance.
 Equipment: silicone rubber gasket. ½ Gas nylon cable gland. Galvanized steel bracket, coated with goniometric scale. Stainless steel external screws. Air recycle valve.
 Regulations: Produced according to applicable EN60598-1CEI 34-21 standards, degree of protection according to EN 60529 standards.
 Wind surface: L:1000cm² F:2200cm².

- Download**
- DXF 2D
- 1826-29.dxf
 - 3DS
- disano_1829_mini_olympic.3ds
 - 3DM
- disano_1829_mini_olympic.3dm
 - Montaggi
- 1826_9_400_600w_d_i.pdf
- 1826_9_1000w_d_i.pdf
- 1826_7_8_9_30_31_1000w_cl1.pdf
- miniolympic montaggio.dxf



Code	Gear	Kg	Lumen-K-CRI	WTot	Base	Colour
415260-00	CNR-L	20.00	JM-T 400-42500lm-3800k-Ra 2b	396 W	E40	GREY/GRAFITE
415261-00	CNR-L	19.82	SAP-T 400-56000lm-2000K-Ra 4	434 W	E40	GREY/GRAFITE
415262-00	CNR-L	22.82	SAP-T 600-90000lm-2000K-Ra 4	645 W	E40	GREY/GRAFITE
415263-00	S+L	12.50	JM-T 1000-110000lm-3500K-Ra 65	0 W	E40	GREY/GRAFITE
415264-14	CNR-L	23.13	SAP-T 1000-130000lm-2000K-Ra 4	1036 W	E40	GREY/GRAFITE
415264-00	S+L	14.50	SAP-T 1000-130000lm-2000K-Ra 4	0 W	E40	GREY/GRAFITE
415263-14	CNR-L	23.37	JM-T 1000-110000lm-3500K-Ra 65	1076 W	E40	GREY/GRAFITE

Accessories



The reported luminous flux is the flux emitted by the light source with a tolerance of ± 10% compared to the indicated value. The W tot column indicates the total wattage absorbed by the system without exceeding 10% of the indicated