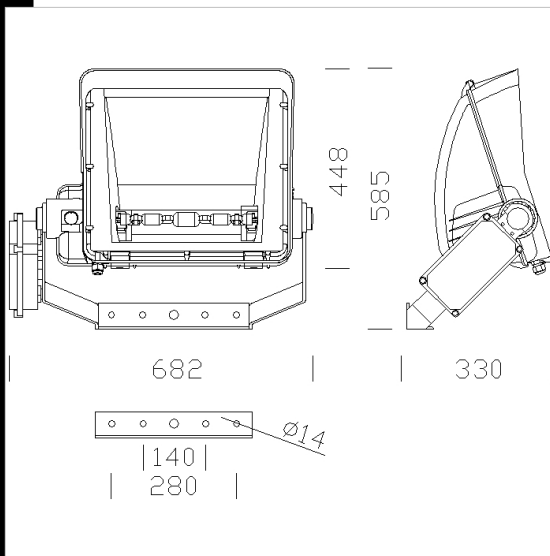


1827 Mini-Olympic - asymmetric - wide beam - LA

Housing/Cover: in die-cast aluminium with cooling fins. Hinge opening, with stainless steel sealing latches.
 Diffuser: tempered glass, 5 mm thick, resistant to thermal shocks and impacts (UNI EN 12150-1:2001 tests). Glass tilted by 18° to obtain high optical asymmetry efficiency and maximum intensity.
 Coating: polyester resin based powder paint, resistant to corrosion and saline environments.
 Power supply: 230V/50Hz (1000W). Wire terminated with admiralty brass clamps, silicone insulation with fibreglass braid, cross-section 2.5 sqmm. 2P+T terminal block, maximum allowed lead cross section, 6 sqmm.
 Standard supply: tool-free maintenance operations. Disconnecting switch supplied to interrupt the line during maintenance.
 Equipment: silicone rubber gasket. ½ Gas nylon cable gland. Galvanized steel bracket, coated with goniometric scale. Stainless steel external screws. Air recycle valve.
 Regulations: Produced according to applicable EN60598-1CEI 34-21 standards, degree of protection according to EN 60529 standards.
 Wind surface: L:1000cm² F:2200cm².

Download

- DXF 2D
- 1827-30.dxf
- 3DS
- disano_1827_mini_olympic.3ds
- 3DM
- disano_1827_mini_olympic.3dm
- Montaggi
- 1826_7_8_9_30_31_1000w_cl1.pdf
- miniolympic_montaggio.dxf



Code	Gear	Kg	Lumen-K-CRI	WTot	Base	Colour
415240-00	S	13.50	MAX-TS 1000 LA---	0 W	by wire	GREY/GRAFITE
415240-99	CNR	26.50	MAX-TS 1000 LA--	0 W	by wire	GREY/GRAFITE

Accessories



The reported luminous flux is the flux emitted by the light source with a tolerance of ± 10% compared to the indicated value. The W tot column indicates the total wattage absorbed by the system without exceeding 10% of the indicated