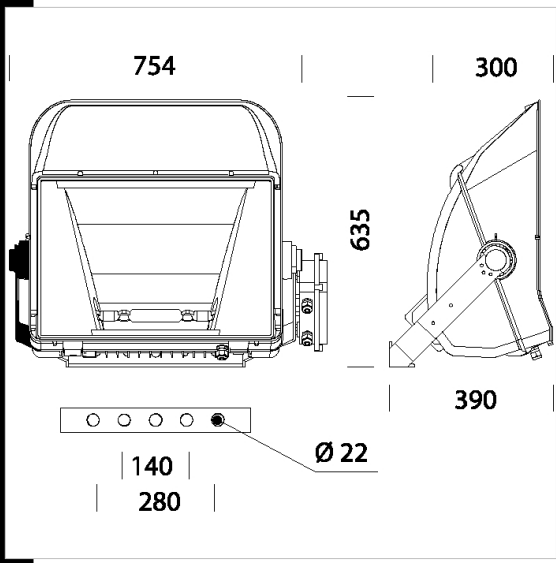


1808 Olympic - asymmetric






Housing: in die-cast aluminium EN AB 46100.
 Cover: in die-cast aluminium EN AB 46100 with cooling fins. Rear lamp housing access. Hinge opening, with stainless steel latches.
 Reflector: asymmetric, in polished aluminium 99.85, anodically oxidized and polished, the luminous flux can be adjusted to obtain 4 different photometric distributions.
 Diffuser: tempered glass, 5 mm thick, resistant to thermal shock and impact (UNI EN 12150-1:2001 tests). 20°glass tilt angle to obtain high asymmetry louvre efficiency and maximum luminous intensity.
 Coating: polyester resin based powder paint, resistant to corrosion and saline environments.
 Lamp holder: adjustable in 4 positions to change photometric distribution in relation to the installation position.
 Electric gear: 230V/50Hz power supply (1000W) or 400V (2000W) wire terminated with admiralty brass clamps, silicone insulation with fibreglass braid, cross-section 2.5 sq mm. 2P+T terminal block, maximum allowed lead cross section 6 sq mm.
 Standard supply: tool-free maintenance operations. Disconnecting switch supplied to interrupt the line during maintenance.
 Equipment: silicone rubber gasket. ½ Gas nylon cable gland. Galvanized steel bracket coated with goniometric scale. Stainless steel external screws.
 Air recycle valve.
 Regulations: Produced according to applicable EN60598-1CEI 34-21 standards, degree of protection according to EN 60529 standards.
 Wind surface: L:1400cm² F:2300cm².



- Download**
- DXF 2D - 1808.dxf
 - 3DS - disano_1808_olympic.3ds
 - 3DM - disano_1808_olympic.3dm
- Montaggi**
- 1808_9_olympic.pdf
 - cabl_olympic_r_caldo.pdf
 - cambio lampada olympic.dxf
 - vetro_1_olympic.dxf
 - cambio lampada olympic.dxf
 - vetro_1_olympic.dxf
 - vetro olympic.dxf
 - 1808_9_olympic.pdf
 - 1808_9_olympic_hot_restrike.pdf
 - vetro olympic.dxf

Code	Gear	Kg	Lumen-K-CRI	WTot	Base	Colour
415213-00	S+L	19.18		1006 W		GREY/GRAFITE
415212-00	S+L	19.18	SAP-T 1000-130000lm-2000K-Ra 4	1006 W	E40	GREY/GRAFITE

Accessories

-  - 1177 D.C.electric gear- IP65
-  - 163 steel pole unit
-  - 478 protective guard
-  - 480 baffle louvre
-  - 1176 D.C.electric gear - ip66

The reported luminous flux is the flux emitted by the light source with a tolerance of ± 10% compared to the indicated value. The W tot column indicates the total wattage absorbed by the system without exceeding 10% of the indicated