

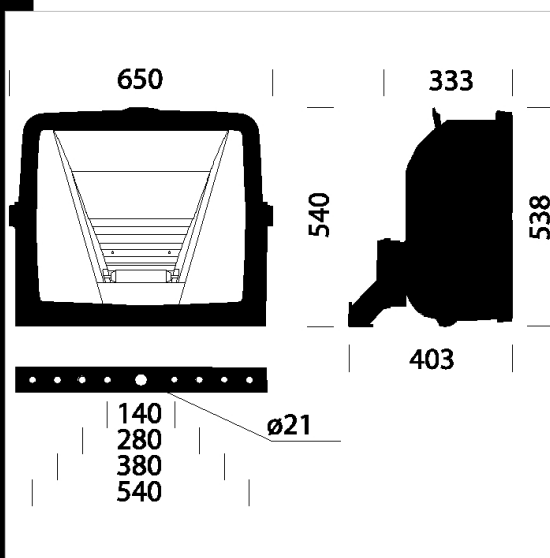
1749 Area - AS 65°

HOUSING/FRAME: In die cast aluminium, with cooling fins.
REFLECTOR: Asymmetric in 99.85 anodised and polished aluminium, with light beam recovering fin. Asymmetry 65°
DIFFUSER: 5 mm thick tempered glass, resistant to thermal shock and impact(UNI EN 1250-1:2001 tests).
PAINTING: Black polyester powder, resistant to corrosive and saline environments.
LAMPHOLDER: Ceramic with silver-plated contacts.
ELECTRIC GEAR: wire terminated with admiralty brass clamps, silicone insulation with fibreglass braid, cross section: 2.5 sqmm. 2P+T nylon terminal block with maximum permitted lead cross-section: 6 sqmm.
STANDARD SUPPLY: The back of the fixture opens on hinges. Equipped with an air-circulation valve.
EQUIPMENT: Fibreglass nylon cable gland, Ø1/2 " gas. With knife switch enabling safe lamp replacement. Steel bracket with protractor scale and aiming visor. Retained steel screws with special anticorrosion and anti-gripping treatment. Igniter box thermally isolated from the housing. With gasket made of silicone platinum material.
REGULATIONS: Produced according to applicable EN60598-1 CEI 34-21 standards, IP667 degree of protection according to EN 60529 standards.
 Wind surface: 3000 sqcm.
 Hot restart with -99 subcode.
 The 49 sub code version is not suitable for the hot restrike versions.

Download

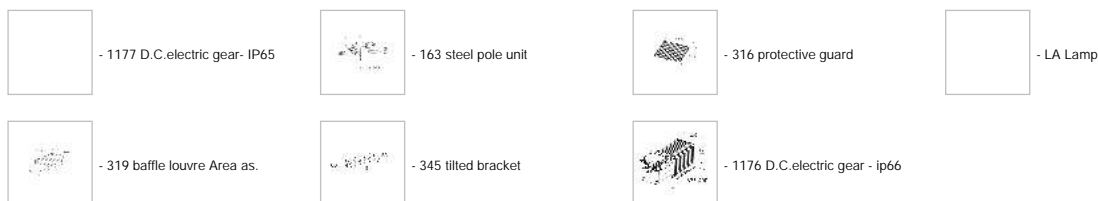
DXF 2D
- 1749.dxf

Montaggi
- area.pdf
- area hot restrike_ott_2010.pdf
- area.dxf
- area staffe.dxf



Code	Gear	Kg	Lumen-K-CRI	WTot	Base	Colour
415131-00	S	21.98	MAX-TS 2000 LA-190000lm-5600k-Ra 90	2044 W	by wire	GREY/GRAFITE
415132-00	S+L	21.98	SAP-T 1000-130000lm-2000K-Ra 4	1006 W	E40	GREY/GRAFITE
415130-99	CNR	40.55		1098 W		GREY/GRAFITE
415131-99	CNR	40.55	MAX-TS 2000 LA-190000lm-5600k-Ra 90	2133 W	by wire	GREY/GRAFITE
415130-00	S	21.98		1046 W		GREY/GRAFITE

Accessories



The reported luminous flux is the flux emitted by the light source with a tolerance of ± 10% compared to the indicated value. The W tot column indicates the total wattage absorbed by the system without exceeding 10% of the indicated