

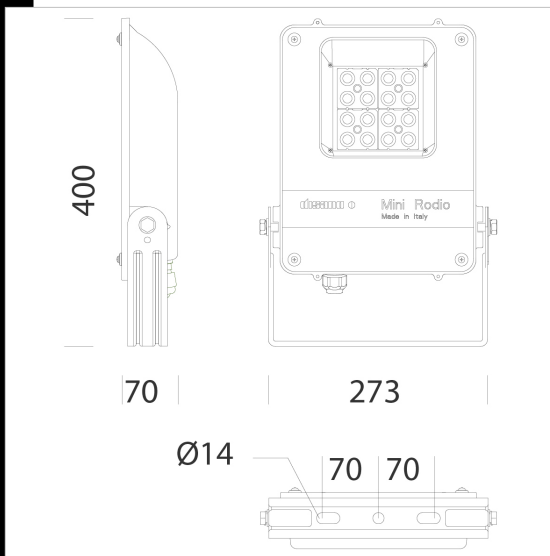
**Download**

- DXF 2D  
- 1991w.dxf
- 3DS  
- disano\_1991\_minirodio.3ds
- 3DM  
- disano\_1991\_minirodio.3dm
- Montaggi  
- MINIRODIO.pdf
- BIM  
- 1991 Mini Rodio - symmetric wide beam - 20200528.zip



**1991 Mini Rodio - symmetric wide beam**

Housing: in die-cast aluminium with cooling fins.  
 Reflector: in PMMA, highly resistant to temperature and UV radiation.  
 Diffuser: 4mm thick tempered glass, resistant to thermal shocks and impacts.  
 Coating: the standard powder coating consists of a first metal surface pre-treatment stage and of single layer of UV-stabilised, corrosion and salt resistant polyester powder coating.  
 Equipment: complete with electrical cable for mains connection L=0,6m. Silicone rubber gasket; external screws and bolts in stainless steel; air recirculation valve. Electronic safety device to protect the LED module and the related ballast compliant with EN 61547. It works in two modes: - differential mode: surge between power cables and between the phase and neutral. - common mode: surge between power, L/N and ground cables or between the fixture's body if it is of class II and installed on a metal pole. Upon request: protection up to 10KV. Coating compliant with UNI EN ISO 9227 Corrosion tests in artificial atmospheres for aggressive environments. Power factor: >= 0.9  
 Luminous flux maintenance 80%: 80000h (L80B20)  
 Wind surface: L:242cm² F:807cm².



Code	Gear	Kg	Lumen Output-K-CRI	WTot	Colour	Surge
414940-00	CLD	3.69	LED-6478lm-4000K-CRI 80	54 W	GRAPHITE	6/8kV
414941-00	CLD	3.65	LED-7964lm-4000K-CRI 80	73 W	GRAPHITE	6/8kV

**Accessories**



- 333 pole mounting diam.60



- 334 pole mounting diam. 76

The reported luminous flux is the flux emitted by the light source with a tolerance of ± 10% compared to the indicated value. The W tot column indicates the total wattage absorbed by the system without exceeding 10% of the indicated