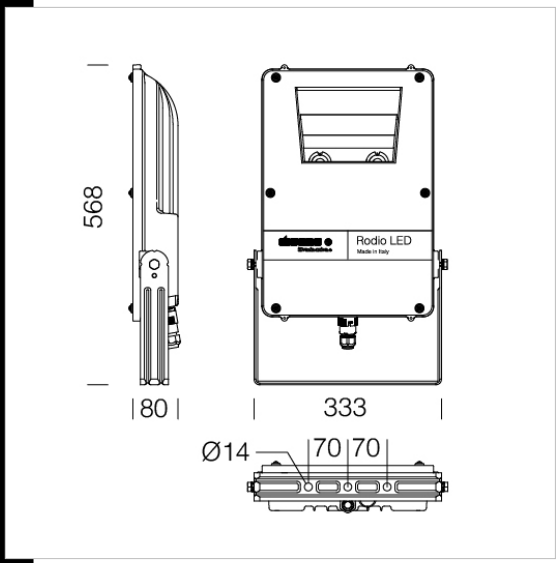


**Download**  
DXF 2D  
- 1898i.dxf  
3DS  
- disano\_1898\_rodio.3ds  
3DM  
- disano\_1898\_rodio.3dm  
Montaggi  
- rodio 06-20.pdf  
BIM  
- 1898 Rodio - COB asymmetric - 20200528.zip



**1898 Rodio - COB asymmetric**

Housing: in die-cast aluminium with cooling fins.  
Reflector: in high-grade 99,99 aluminium with PVD treatment.  
Diffuser: 5mm thick tempered glass, resistant to thermal shocks and impacts.  
Coating: the standard powder coating consists of a first metal surface pre-treatment stage and of single layer of UV-stabilised, corrosion and salt resistant polyester powder coating.  
On request, coating compliant with UNI EN ISO 9227 Corrosion tests in artificial atmospheres for aggressive environments. 2200K - AMBER (sub-code -73)  
Equipment: external connector for quick installation. Silicone rubber gasket; external screws and bolts in stainless steel; air recirculation valve.  
Power factor: 0,9.  
Low flicker  
Photobiological risk: exempt, pursuant to EN62471.  
Luminous flux maintenance 80%: 50.000h (L80B20). Wind surface: L:390cm<sup>2</sup> F:1420cm<sup>2</sup>.



Code	Gear	Kg	Lumen Output-K-CRI	WTot	Colour
414920-00	CLD	5.50	LED COB-8553lm-4000K-CRI 80	79 W	GRAPHITE
414921-00	CLD	5.42	LED COB-10932lm-4000K-CRI 80	103 W	GRAPHITE
414922-00	CLD	5.34	LED COB-14199lm-4000K-CRI 80	129 W	GRAPHITE
414920-39	CLD	5.41	LED COB-8125lm-3000K-CRI 80	79 W	GRAPHITE
414921-39	CLD	5.45	LED COB-10386lm-3000K-CRI 80	103 W	GRAPHITE
414922-39	CLD	5.57	LED COB-13347lm-3000K-CRI 80	129 W	GRAPHITE
414923-00	CLD	6.40	LED COB-21050lm-4000K-CRI 80	196 W	GRAPHITE

**Accessories**



The reported luminous flux is the flux emitted by the light source with a tolerance of ± 10% compared to the indicated value. The W tot column indicates the total wattage absorbed by the system without exceeding 10% of the indicated