

1983 Micro Rodio - symmetric narrow beam



To meet the needs of lighting projects where the size of the fixture makes the difference, Disano has created Micro Rodio, the floodlight that concentrates all the technology of the Rodio family into extremely compact dimensions. Also available with COB LED for a greater lighting quality, it stands out for a very long lamp life thanks to top quality materials and LED sources.

Housing: in die-cast aluminium with cooling fins. Diffuser: 4mm thick tempered glass, resistant to thermal shocks and impacts. Optics: combined optical system made in high performance PMMA, resistant to high temperatures and UV radiation. Flux recovery system in polycarbonate.

Coating: the standard powder coating consists of a first metal surface pre-treatment stage and of single layer of UV-stabilised, corrosion and salt resistant polyester powder coating. On request: coating compliant with UNI EN ISO 9227 Corrosion tests in artificial atmospheres for aggressive environments. Equipment: Silicone rubber gasket; Complete with cable for electrical connection. Standards: manufactured pursuant to EN 60598-1-CEI 34.21 and with a degree of protection pursuant to EN 60529. Suitable for installation on normally inflammable surfaces.

Photobiological risk: exempt, pursuant to EN62471.

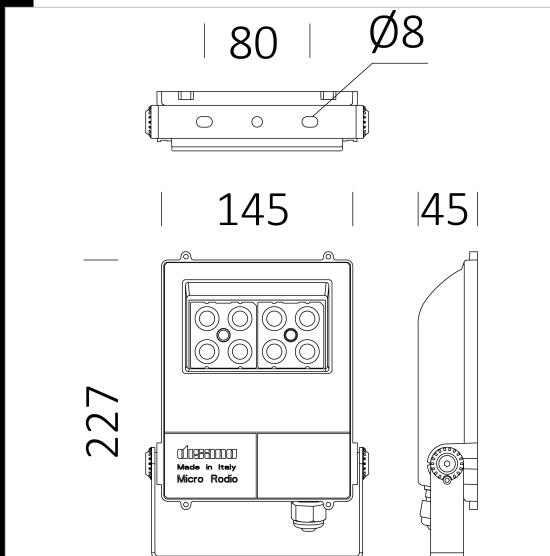
Power factor: ≥ 0.9 Luminous flux maintenance 80%: 50000h (L80B20)

Wind surface: L:86cm² F:278cm². On request:

- version with presence sensor

- double insulation class with subcode -14.

Registered Design DM/100271



Code	Gear	Kg	Lumen Output-K-CRI	WTot	Colour	Surge
414880-00	CLD	1,17	LED-3097lm-4000K-CRI 80	28 W	GRAPHITE	1/2kV
414881-00	CLD	1,17	LED-3097lm-4000K-CRI 80	28 W	WHITE	1/2kV
414882-00	CLD	1,17	LED-3097lm-4000K-CRI 80	28 W	ANTHRACITE	1/2kV

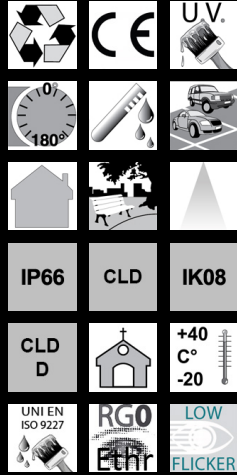
Accessori



- 339 connector



- 41 adjustable arm



Download

DXF 2D

- 1983.dxf

3DS

- disano_1983_microrodio.3ds

3DM

- disano_1983_microrodio.3dm

Montaggi

- Microrodio.pdf

BIM

- 1983 Micro Rodio - symmetric narrow beam - 20200528.zip

The reported luminous flux is the flux emitted by the light source with a tolerance of $\pm 10\%$ compared to the indicated value. The W tot column indicates the total wattage absorbed by the system without exceeding 10% of the indicated