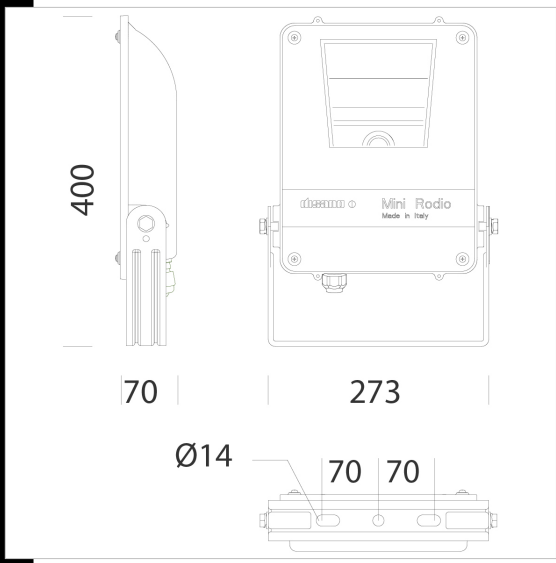


Download
DXF 2D
- 1998w.dxf
3DS
- disano_1998_minirodio.3ds
3DM
- disano_1998_minirodio.3dm
Montaggi
- MINIRODIO.pdf
BIM
- 1998 Mini Rodio - COB asymmetric - 20200528.zip



1998 Mini Rodio - COB asymmetric

Housing: in die-cast aluminium with cooling fins.
Reflector: in high-grade 99,99 aluminium with PVD treatment.
Diffuser: 5mm thick tempered glass, resistant to thermal shocks and impacts.
Coating: the standard powder coating consists of a first metal surface pre-treatment stage and of single layer of UV-stabilised, corrosion and salt resistant polyester powder coating.
On request: coating compliant with UNI EN ISO 9227 Corrosion tests in artificial atmospheres for aggressive environments.
Equipment: complete with electrical cable for mains connection L=0,6m
Silicone rubber gasket; external screws and bolts in stainless steel; air recirculation valve. Power factor: 0,9.
Photobiological risk: exempt, pursuant to EN62471. Luminous flux maintenance 80%: 50000h (L80B20)
Wind surface: L:242cm² F:807cm².



Code	Gear	Kg	Lumen Output-K-CRI	WTot	Colour
414850-00	CLD	3.03	LED COB-4971lm-4000K-CRI 80	39 W	GRAPHITE
414850-39	CLD	2.65	LED COB-4721lm-3000K-CRI 80	39 W	GRAPHITE
414851-00	CLD	3.03	LED COB-6236lm-4000K-CRI 80	54 W	GRAPHITE
414851-39	CLD	2.96	LED COB-5924lm-3000K-CRI 80	54 W	GRAPHITE
414852-00	CLD	3.05	LED COB-7153lm-4000K-CRI 80	66 W	GRAPHITE
414852-39	CLD	3.03	LED COB-6724lm-3000K-CRI 80	66 W	GRAPHITE
414853-00	CLD	3.19	LED COB-8605lm-4000K-CRI 80	73 W	GRAPHITE
414853-39	CLD	3.19	LED COB-8010lm-3000K-CRI 80	73 W	GRAPHITE

Accessories



The reported luminous flux is the flux emitted by the light source with a tolerance of ± 10% compared to the indicated value. The W tot column indicates the total wattage absorbed by the system without exceeding 10% of the indicated