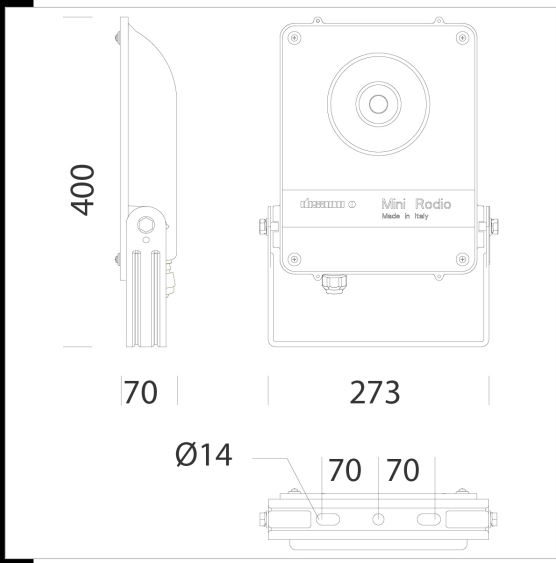


**Download**  
 DXF 2D  
 - 1999w.dxf  
 3DS  
 - disano\_1999\_minirodio.3ds  
 3DM  
 - disano\_1999\_minirodio.3dm  
 Montaggi  
 - MINIRODIO.pdf  
 BIM  
 - 1999 Mini Rodio - COB symmetric - 20200528.zip



**1999 Mini Rodio - COB symmetric**

Housing: in die-cast aluminium with cooling fins.  
 Reflector: symmetric in pressed prismatic aluminium, anodised and polished for higher luminous efficiency.  
 Diffuser: 5mm thick tempered glass, resistant to thermal shocks and impacts.  
 Coating: the standard powder coating consists of a first metal surface pre-treatment stage and of single layer of UV-stabilised, corrosion and salt resistant polyester powder coating.  
 On request: coating compliant with UNI EN ISO 9227 Corrosion tests in artificial atmospheres for aggressive environments.  
 Equipment: complete with electrical cable for mains connection L=0,6m. Silicone rubber gasket; external screws and bolts in stainless steel; air recirculation valve. Power factor: 0,9.  
 Photobiological risk: exempt, pursuant to EN62471. Luminous flux maintenance 80%: 50000h (L80B20)  
 Wind surface: L:242cm<sup>2</sup> F:807cm<sup>2</sup>.



Code	Gear	Kg	Lumen Output-K-CRI	WTot	Colour
414840-00	CLD	2.97	LED COB-5334lm-4000K-CRI 80	39 W	GRAPHITE
414840-39	CLD	2.98	LED COB-5067lm-3000K-CRI 80	39 W	GRAPHITE
414841-00	CLD	3.03	LED COB-6710lm-4000K-CRI 80	54 W	GRAPHITE
414841-39	CLD	2.97	LED COB-6375lm-3000K-CRI 80	54 W	GRAPHITE
414842-00	CLD	4.05	LED COB-7901lm-4000K-CRI 80	66 W	GRAPHITE
414842-39	CLD	2.99	LED COB-7427lm-3000K-CRI 80	66 W	GRAPHITE
414843-00	CLD	3.21	LED COB-9640lm-4000K-CRI 80	73 W	GRAPHITE
414843-39	CLD	3.14	LED COB-8965lm-3000K-CRI 80	73 W	GRAPHITE

**Accessories**



The reported luminous flux is the flux emitted by the light source with a tolerance of ± 10% compared to the indicated value. The W tot column indicates the total wattage absorbed by the system without exceeding 10% of the indicated