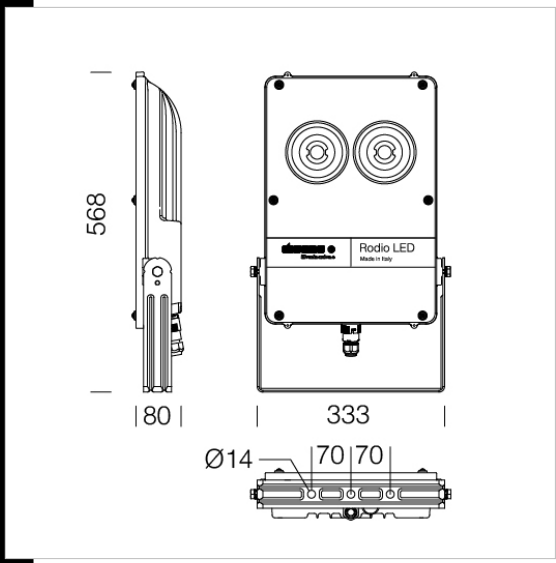


Download
DXF 2D
- 1897i.dxf
3DS
- disano_1897_rodio.3ds
3DM
- disano_1897_rodio.3dm
Montaggi
- rodio 06-20.pdf
BIM
- 1897 Rodio - COB symmetric - 20200528.zip



1897 Rodio - COB symmetric

Housing: in die-cast aluminium with cooling fins.
Reflector: symmetric in pressed prismatic aluminium, anodised and polished for higher luminous efficiency.
Diffuser: 5mm thick tempered glass, resistant to thermal shocks and impacts.
Coating: the standard powder coating consists of a first metal surface pre-treatment stage and of single layer of UV-stabilised, corrosion and salt resistant polyester powder coating.
On request, coating compliant with UNI EN ISO 9227 Corrosion tests in artificial atmospheres for aggressive environments. 2200K - AMBER (sub-code -73)
Equipment: external connector for quick installation. Silicone rubber gasket; external screws and bolts in stainless steel; air recirculation valve.
Power factor: 0,9.
Photobiological risk: exempt, pursuant to EN62471.
Low flicker Luminous flux maintenance 80%: 50.000h (L80B20). Wind surface: L:390cm² F:1420cm².



Code	Gear	Kg	Lumen Output-K-CRI	WTot	Colour
414820-00	CLD	5.58	LED COB-9831lm-4000K-CRI 80	79 W	GRAPHITE
414821-00	CLD	5.50	LED COB-12308lm-4000K-CRI 80	103 W	GRAPHITE
414822-00	CLD	5.61	LED COB-15802lm-4000K-CRI 80	129 W	GRAPHITE
414820-39	CLD	5.49	LED COB-9340lm-3000K-CRI 80	79 W	GRAPHITE
414821-39	CLD	5.52	LED COB-11693lm-3000K-CRI 80	103 W	GRAPHITE
414822-39	CLD	5.49	LED COB-14854lm-3000K-CRI 80	129 W	GRAPHITE
414823-00	CLD	6.42	LED COB-23245lm-4000K-CRI 80	196 W	GRAPHITE

Accessories



The reported luminous flux is the flux emitted by the light source with a tolerance of ± 10% compared to the indicated value. The W tot column indicates the total wattage absorbed by the system without exceeding 10% of the indicated