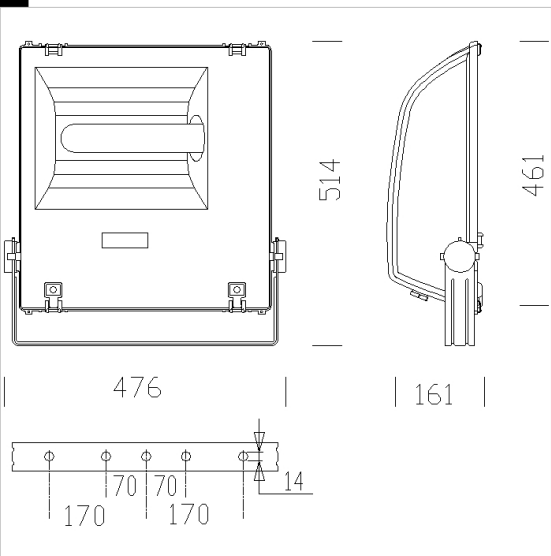


1804 Rodio 3 symmetric double isolation

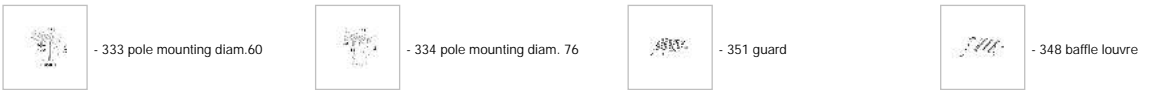
Housing without frame: Die-cast aluminium with cooling fins.
 Reflector: symmetric; made of 3µ thick 99.85 anodised and polished hammered aluminium.
 Diffuser: Tempered glass 5 mm thick, resistant to impact and thermal shock (UNI EN 12150-1:2001 tests).
 Coating: Graphite grey polyester powder coating applied, resistant to corrosive and saline environments.
 Lampholder: Ceramic with silver-plated contacts
 Electric gear: 230V/50Hz power supply with heat protection. Flexible wire terminated with admiralty brass clamps, fibreglass braid insulation, cross section: 1sqmm. 2P+T terminal block (maximum allowed lead cross-section: 4sqmm).
 Equipment: Silicone rubber gasket. Fibreglass nylon cable gland, Ø 1/2 " gas. Ø 1/2inch gas. Corrosion and gripping resistant retained stainless steel screws. Steel bracket with protractor scale. The front frame opens on hinges (no tools required) and stays attached to the fixture housing. Equipped with air circulation valve. Supplied with knife switch. Latches with safety screw.
 Regulations: Manufactured in compliance with EN60598 - CEI 34 - 21 standards. The level of protection complies with the EN60529 standard.
 Wind surface: 1900 cm².



Download
 DXF 2D
 - 1804_d_i.dxf
 3DS
 - disano_1804_rodio_B.3ds
 3DM
 - disano_1804_rodio_B.3dm
 Montaggi
 - rodio_1803_1804.pdf
 - 1804_mont1.dxf
 - 1804_mont2.dxf

Code	Gear	Kg	Lumen-K-CRI	WTot	Base	Colour
414811-14	CNR-L	10.98	SAP-T 250-3300lm-2000 K-Ra 4	277 W	E40	GRAPHITE
414813-14	CNR-L	10.98	CDM-T MW 230-21900lm-4200K-CRI 88	248 W	E40	GRAPHITE
414812-14	CNR-L	11.99	SAP-T 400-56000lm-2000K-Ra 4	436 W	E40	GRAPHITE
414810-14	CNR-L	9.99	SAP-T 150-17200lm-2000K-Ra 4	166 W	E40	GRAPHITE
414814-14	CNR-L	10.99	CDM-T MW 360-35270lm-4200K-CRI 88	387 W	E40	GRAPHITE

Accessories



The reported luminous flux is the flux emitted by the light source with a tolerance of ± 10% compared to the indicated value. The W tot column indicates the total wattage absorbed by the system without exceeding 10% of the indicated