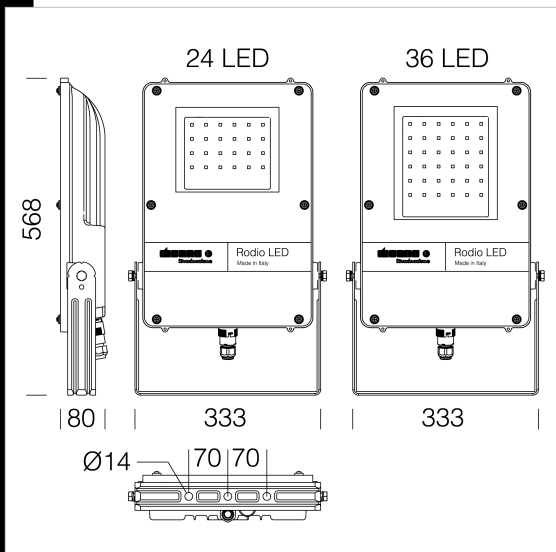


Download
DXF 2D
- 1890i.dxf
3DS
- disano_1890_rodio_24_led.3ds
- disano_1890_rodio_36_led.3ds
3DM
- disano_1890_rodio_24_led.3dm
- disano_1890_rodio_36_led.3dm
Montaggi
- rodio 06-20.pdf
BIM
- 1890 Rodio LED - symmetric wide beam - 20200528.zip



1890 Rodio LED - symmetric wide beam

Housing: in die-cast aluminium with cooling fins.
Diffuser: 5mm thick tempered glass, resistant to thermal shocks and impacts.
Coating: powder-coated with graphite grey polyester resin, resistant to corrosion and saline environments.
Equipment: external connector for quick installation. Silicone rubber gasket; external screws and bolts in stainless steel; air recirculation valve. Electronic safety device to protect the LED module and the related ballast compliant with EN 61547.
Surge protection
It works in two modes: - differential mode: surge between power cables and between the phase and neutral. - common mode: surge between power, L/N and ground cables or between the fixture's body if it is of class II and installed on a metal pole. Upon request: protection up to 10KV. coating compliant with UNI EN ISO 9227 Corrosion tests in artificial atmospheres for aggressive environments. Power factor: >= 0.9
Low flicker
Luminous flux maintenance 80%: 80000h (L80B20)
Wind surface: L:390cm² F:1420cm².



Code	Gear	Kg	Lumen Output-K-CRI	WTot	Colour	Surge
414790-00	CLD	5.97	LED-11068lm-4000K-CRI 80	107 W	GRAPHITE	6/8kV
414791-00	CLD	5.99	LED-16602lm-4000K-CRI 80	157 W	GRAPHITE	4/6kV

Accessories



The reported luminous flux is the flux emitted by the light source with a tolerance of ± 10% compared to the indicated value. The W tot column indicates the total wattage absorbed by the system without exceeding 10% of the indicated