

1889 Rodio LED HT - symmetric wide beam



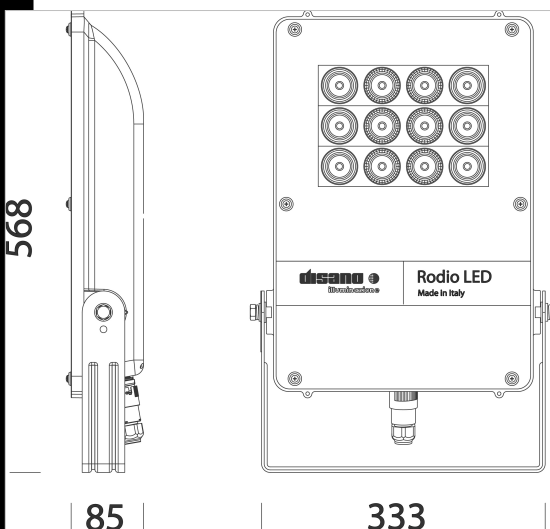
Housing: in die-cast aluminium with cooling fins.  
 Reflector: with symmetric beam, made in polycarbonate with high-efficiency PVD metal surface finishing  
 Diffuser: 5mm thick tempered glass, resistant to thermal shocks and impacts.  
 Coating: powder-coated with graphite grey polyester resin, resistant to corrosion and saline environments.

Equipment: external connector for quick installation. Silicone rubber gasket; external screws and bolts in stainless steel; air recirculation valve. Electronic safety device to protect the LED module and the related ballast compliant with EN 61547. It works in two modes: - differential mode: surge between power cables and between the phase and neutral. - common mode: surge between power, L/N and ground cables or between the fixture's body if it is of class II and installed on a metal pole. Upon request: protection up to 10KV. Coating compliant with UNI EN ISO 9227 Corrosion tests in artificial atmospheres for aggressive environments. Power factor: >= 0.9

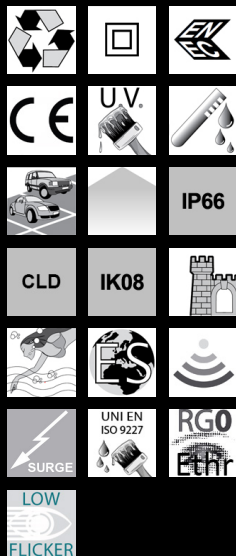
Luminous flux maintenance 80%: 80000h (L80B20) - Ta = -40°C ÷ +50°  
 Wind surface: L:390cm² F:1420cm².

The fixtures can be equipped with a two-level dimming system that can be preset and based on the calculation of the virtual midnight. The device is embedded directly into the device and does not require the installer to update the system. The dimming of the luminous flux occurs without a drive cable or a control phase.

The average value between the time the lighting fixture is turned on (sunset) and turned off (dawn) is the reference point for the device, and is called "natural midnight". A microprocessor will calculate the desired switching time starting from this base value. Factory settings are 3 hours before the "natural midnight" (approximately 10 pm) and 4 hours after it (approximately 5 am). Factory settings may be changed upon special requests.



Code	Gear	Kg	Lumen Output-K-CRI	WTot	Colour	Surge
414780-00	CLD	6.35	LED-5781lm-4000K-CRI 70	51 W	GRAPHITE	6/8kV



Download

- DXF 2D  
- 1889.dxf
- 3DS  
- disano\_1889\_rodio.3ds
- 3DM  
- disano\_1889\_rodio.3dm
- Montaggi  
- rodio 06-20.pdf
- BIM  
- 1889 Rodio LED HT - symmetric wide beam - 20200528.zip

The reported luminous flux is the flux emitted by the light source with a tolerance of ± 10% compared to the indicated value. The W tot column indicates the total wattage absorbed by the system without exceeding 10% of the indicated