

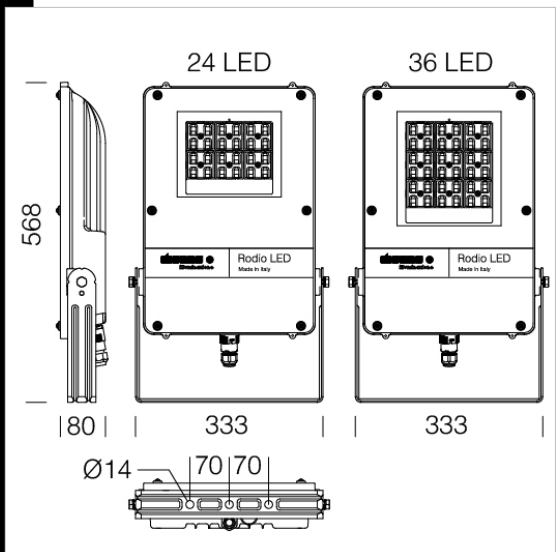


Download
DXF 2D
- 1887i.dxf
3DS
- disano_1887_rodio_24_led.3ds
- disano_1887_rodio_36_led.3ds
3DM
- disano_1887_rodio_24_led.3dm
- disano_1887_rodio_36_led.3dm
Montaggi
- rodio_06-20.pdf
BIM
- 1887_Rodio_LED - asymmetric - 20200528.zip



1887 Rodio LED - asymmetric

Housing: in die-cast aluminium with cooling fins.
Reflector: in PMMA, highly resistant to temperature and UV radiation.
Diffuser: 5mm thick tempered glass, resistant to thermal shocks and impacts.
Coating: the standard powder coating consists of a first metal surface pre-treatment stage and of single layer of UV-stabilised, corrosion and salt resistant polyester powder coating.
Equipment: external connector for quick installation. Silicone rubber gasket; external screws and bolts in stainless steel; air recirculation valve. Electronic safety device to protect the LED module and the related ballast compliant with EN 61547. It works in two modes: - differential mode: surge between power cables and between the phase and neutral. - common mode: surge between power, L/N and ground cables or between the fixture's body if it is of class II and installed on a metal pole. Upon request: protection up to 10KV. coating compliant with UNI EN ISO 9227 Corrosion tests in artificial atmospheres for aggressive environments. Power factor: >= 0.9
low flicker
Luminous flux maintenance 80%: 80000h (L80B20)
Wind surface: L:390cm² F:1420cm².
Special version (with conformal coating treatment with subcode -38) featuring high chemical resistance for environments with high chlorine content.



Code	Gear	Kg	Lumen Output-K-CRI	WTot	Colour	Surge
414754-00	CLD	5.99	LED-6874lm-4000K-45°-CRI 80	53 W	GRAPHITE	6/8kV
414755-00	CLD	5.99	LED-9210lm-4000K-45°-CRI 80	79 W	GRAPHITE	6/8kV
414756-00	CLD	6.17	LED-13448lm-4000K-45°-CRI 80	118 W	GRAPHITE	6/8kV
414752-00	CLD	5.81	LED-13392lm-4000K-55°-CRI 80	118 W	GRAPHITE	6/8kV
414757-00	CLD	6.09	LED-16843lm-4000K-45°-CRI 80	157 W	GRAPHITE	4/8kV
414753-00	CLD	6.17	LED-16424lm-4000K-55°-CRI 80	157 W	GRAPHITE	4/8kV

Accessories



The reported luminous flux is the flux emitted by the light source with a tolerance of ± 10% compared to the indicated value. The W tot column indicates the total wattage absorbed by the system without exceeding 10% of the indicated