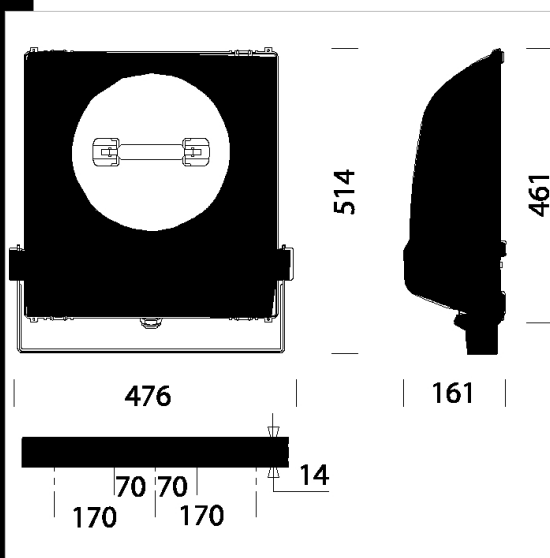


1834 Rodio - narrow beam

Housing without frame: Die-cast aluminium with cooling fins.
 Diffuser: Tempered glass 5 mm thick, resistant to impact and thermal shock (UNI EN 12150-1:2001 tests).
 Coating: Graphite grey polyester powder coating applied, resistant to corrosive and saline environments.
 Lampholder: Ceramic with silver-plated contacts
 Electric gear: 230V/50HzHz power supply with heat protection. Flexible wire terminated with admiralty brass clamps, fibreglass braid insulation, cross section: 1sqmm. 2P+T terminal block (maximum allowed lead cross-section: 4sqmm).
 Equipment: Silicone rubber gasket. Fibreglass nylon cable gland, Ø 1/2 " gas. Ø 1/2inch gas. Corrosion and gripping resistant retained stainless steel screws. Steel bracket with protractor scale. The front frame opens on hinges (no tools required) and stays attached to the fixture housing. Equipped with air circulation valve. Supplied with knife switch. Latches with safety screw.
 Regulations: Manufactured in compliance with EN60598 - CEI 34 - 21 standards. The level of protection complies with the EN60529 standard.
 Wind surface: 1900 cm².

Download

- DXF 2D
- 1834.dxf
- 3DS
- disano_1834_rodio.3ds
- 3DM
- disano_1834_rodio.3dm
- Montaggi
- 1833-34.pdf



Code	Gear	Kg	Lumen-K-CRI	WTot	Base	Colour
414736-00	CNR-L	12.79	JM-TS 400-36000lm-5200k-Ra 86	436 W	FC2	GRAPHITE
414735-00	CNR-L	10.89	JM-TS 250-20000lm-4200k-Ra 1b	277 W	FC2	GRAPHITE

Accessories



The reported luminous flux is the flux emitted by the light source with a tolerance of ± 10% compared to the indicated value. The W tot column indicates the total wattage absorbed by the system without exceeding 10% of the indicated