

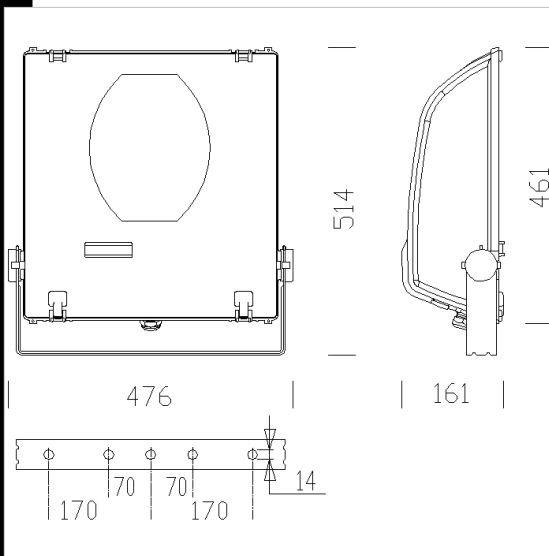
**Download**

- DXF 2D  
- 1805.dxf
- 3DS  
- disano\_1805\_rodio.3ds
- 3DM  
- disano\_1805\_rodio.3dm

**1805 Rodio 3**



Housing without frame: Die-cast aluminium with cooling fins.  
 Reflector: NON-POLLUTING LOUVRE in pressed 99.85 aluminium, anodically oxidized and polished.  
 Diffuser: Tempered glass 5 mm thick, resistant to impact and thermal shock (UNI EN 12150-1:2001 tests).  
 Coating: Graphite grey polyester powder coating applied, resistant to corrosive and saline environments.  
 Lampholder: Ceramic with silver-plated contacts  
 Electric gear: 230V/50Hz power supply with heat protection. Flexible wire terminated with admiralty brass clamps, fibreglass braid insulation, cross section: 1sqmm. 2P+T terminal block (maximum allowed lead cross-section: 4sqmm).  
 Equipment: Silicone rubber gasket. Fibreglass nylon cable gland, Ø 1/2 " gas. Ø 1/2inch gas. Corrosion and gripping resistant retained stainless steel screws. Steel bracket with protractor scale. The front frame opens on hinges (no tools required) and stays attached to the fixture housing. Equipped with air circulation valve. Supplied with knife switch. Latches with safety screw.  
 Regulations: Manufactured in compliance with EN60598 - CEI 34 - 21 standards. The level of protection complies with the EN60529 standard.  
 Wind surface: 1900 cm<sup>2</sup>.



Code	Gear	Kg	Lumen-K-CRI	WTot	Base	Colour
414722-14	CNR-L	10.99	JM-T 150-14000lm-4000K-Ra 1b	166 W	E27	GRAPHITE
414721-00	CNR-L	11.50	SAP-T 250-33000lm-2000 K-Ra 4	277 W	E40	GRAPHITE
414722-00	CNR-L	9.99	JM-T 150-14000lm-4000K-Ra 1b	166 W	E27	GRAPHITE
414721-14	CNR-L	10.99	SAP-T 150-17200lm-2000K-Ra 4	277 W	E40	GRAPHITE
414720-00	CNR-L	10.15	SAP-T 150-17200lm-2000K-Ra 4	166 W	E40	GRAPHITE
414720-14	CNR-L	10.99	SAP-T 150-17200lm-2000K-Ra 4	166 W	E40	GRAPHITE

**Accessories**



- 42 adjustable arm

The reported luminous flux is the flux emitted by the light source with a tolerance of ± 10% compared to the indicated value. The W tot column indicates the total wattage absorbed by the system without exceeding 10% of the indicated