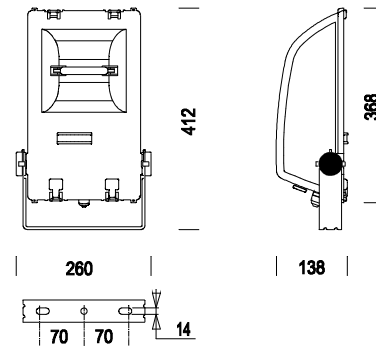
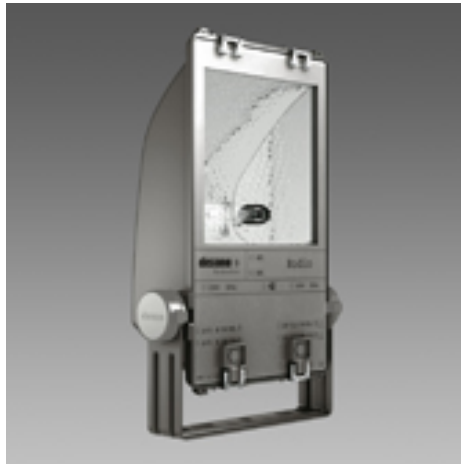


1800 Rodio 1 asymmetric



Code	Gear	Kg	Colour	Dimensions	lamp
414510-00	CNR-L	5.50	graphite	412x260x138	JM-TS 70-Rx7s-5700lm-4000k-Ra 1b
414511-00	CNR-L	5.50	graphite	412x260x138	SAP-TS 70-Rx7s-6800lm-2000K-Ra 4
414510-01	CNR-L	5.50	graphite	412x260x138	JM-TS 70-Rx7s

Housing without frame: Die-cast aluminium with cooling fins.

Reflector: asymmetric; made of 3µ thick 99.85 anodised and polished hammered aluminium.

Diffuser: Tempered glass 5 mm thick, resistant to impact and thermal shock (UNI EN 12150-1:2001 tests).

Coating: Graphite grey polyester powder coating applied, resistant to corrosive and saline environments.

Lampholder: Ceramic with silver-plated contacts

Electric gear: 230V/50Hz power supply with heat protection. Flexible wire terminated with admiralty brass clamps, fibreglass braid insulation, cross section: 1sqmm. 2P+T terminal block (maximum allowed lead cross-section: 4sqmm).

Equipment: Silicone rubber gasket. Fibreglass nylon cable gland, Ø 1/2 " gas. Ø 1/2inch gas. Corrosion and gripping resistant retained stainless steel screws. Steel bracket with protractor scale. The front frame opens on hinges (no tools required) and stays attached to the fixture housing. Equipped with air circulation valve. Supplied with knife switch. Latches with safety screw.

Regulations: Manufactured in compliance with EN60598 - CEI 34 - 21 standards. The level of protection complies with the EN60529 standard.

Lamps: Includes discharge lamps.