

Download

DXF 2D
- 1159.dxf

3DS
- 1158_indio.3ds

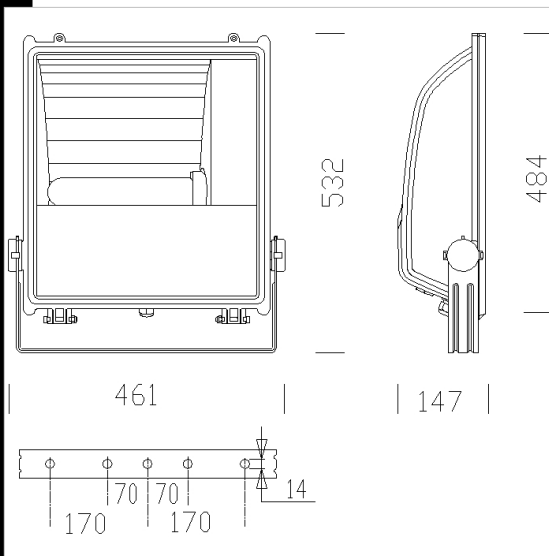
3DM
- 1158_indio.3dm

Montaggi
- indio.pdf



1159 Indio - asymmetric

Housing/frame: In die-cast aluminium with wide cooling fins.
 Reflector: Asymmetric in anodized polished and hammered 99.85 aluminium, 2µ thick.
 Diffuser: Tempered glass, 5 mm thick, thermal shock and impact resistant (UNI 7142 tests, British standard 3193).
 Painting: With polyester powder, black, upon chromate treatment, resistant to corrosive and saline environments.
 Lampholder: In ceramics, with and silver-plated contacts. Socket E40; BY22d (SBP).
 Electric gear: 230V/50Hz supply with thermal protection. Silicone wire terminated with admiralty brass clamps; fibreglass braid insulation - cross-section: 1 sqmm (up to 400W) or 2.5 sqmm (400 to 1500W). Nylon 2P+T terminal block with maximum allowed lead cross section of 4 sqmm.
 Equipment: Gasket in silicone rubber material. Cable gland in f.g. nylon, Ø 1/2 gas thread. Retained steel screws with special anticorrosion and anti-gripping treatment. Bracket in steel with protractor scale. The hinge-opening front frame stays hooked to the fixture housing.
 Regulations: Produced according to applicable EN60598-1 CEI 34-21 standards, IP66IK08 degree of protection according to EN 60529 standards. Have obtained the ENEC European certification of conformity.
 Wind surface: 1970 sqcm.



Code	Gear	Kg	Lumen-K-CRI	WTot	Base	Colour
414162-00	CNR-L	8.00	SAP-T 150-17200lm-2000K-Ra 4	166 W	E40	GRAPHITE
414163-00	CNR-L	8.50	SAP-T 250-33000lm-2000 K-Ra 4	277 W	E40	GRAPHITE
414164-00	CNR-L	10.00	SAP-T 400-56000lm-2000K-Ra 4	435 W	E40	GRAPHITE
414166-00	CNR-L	9.00	CDM-T MW 360-35270lm-4200K-CRI 88	387 W	E40	GRAPHITE
414165-00	CNR-L	8.50	CDM-T MW 230-21900lm-4200K-CRI 88	248 W	E40	GRAPHITE

Accessories



- 71 baffle louvre



- 73 protective guard



- 333 pole mounting diam.60



- 334 pole mounting diam. 76



- 42 adjustable arm



- 164 pole bracket

The reported luminous flux is the flux emitted by the light source with a tolerance of ± 10% compared to the indicated value. The W tot column indicates the total wattage absorbed by the system without exceeding 10% of the indicated