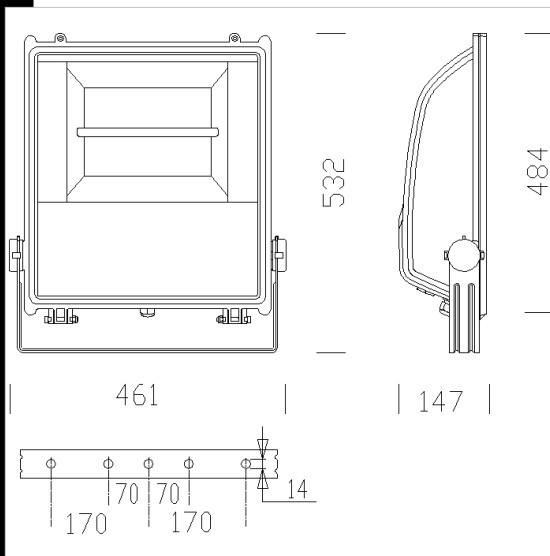


1157 Indio

Housing/frame: In die-cast aluminium with wide cooling fins.
 Reflector: Symmetric in anodized polished and hammered 99.85 aluminium, 2µ thick.
 Diffuser: Tempered glass, 5 mm thick, thermal shock and impact resistant (UNI 7142 tests, British standard 3193).
 Painting: With polyester powder, black, upon chromate treatment, resistant to corrosive and saline environments.
 Lampholder: In ceramics, with and silver-plated contacts. Socket R7s.
 Equipment: Gasket in silicone rubber material. Cable gland in f.g. nylon, Ø 1/2 gas thread. Retained steel screws with special anticorrosion and anti-gripping treatment. Bracket in steel with protractor scale. The hinge-opening front frame stays hooked to the fixture housing.
 Regulations: Produced according to applicable EN60598-1 CEI 34-21 standards, IP66IK08 degree of protection according to EN 60529 standards. Have obtained the ENEC European certification of conformity.
 Wind surface: 1970 sqcm.

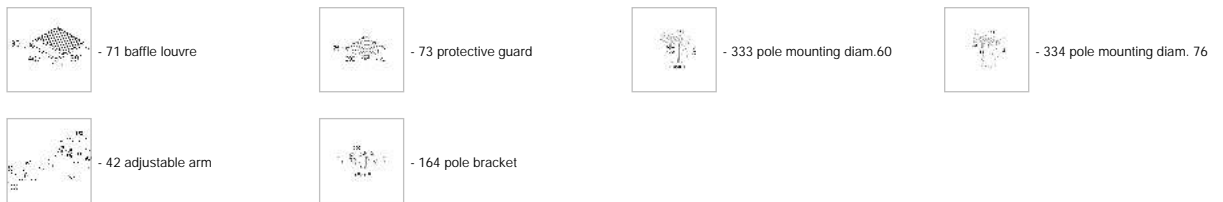
Download

- DXF 2D
- 1157.dxf
- 3DS
- 1157_indio.3ds
- 3DM
- 1157_indio.3dm
- Montaggi
- indio.pdf



Code	Gear	Kg	Lumen-K-CRI	WTot	Base	Colour
413816-00	S	6,50	ALO 750---	0 W	R7s	GRAFITE

Accessori



The reported luminous flux is the flux emitted by the light source with a tolerance of ± 10% compared to the indicated value. The W tot column indicates the total wattage absorbed by the system without exceeding 10% of the indicated