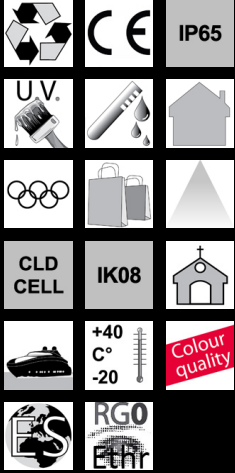


1130 Punto LED - COB

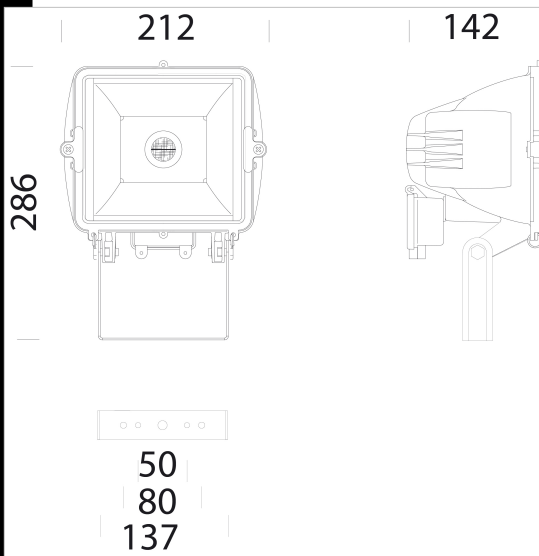


HOUSING: in die-cast aluminium with cooling fins.
REFLECTOR: in hammered pre-anodised 99.99 aluminium for LED versions.
DIFFUSER: tempered glass, 5 mm thick, resistant to thermal shock and impacts (UNI EN 12150-1:2001 tests) .
COATING: the standard powder coating consists of a first metal surface pre-treatment stage and of single layer of UV-stabilised, corrosion and salt resistant polyester powder coating.
STANDARD SUPPLY: complete with galvanised and coated bracket.
EQUIPMENT: during maintenance or lamp replacement, special safety rings keep the glass hooked to the housing.
REGULATORY STANDARD: manufactured pursuant to EN 60598 and a degree of protection IP65IK08 pursuant to EN 60529 tested after a 7 day accelerated ageing. Class of insulation I.
 Wind surface: 300 cm².
 Power factor: 0.9.
 Ta-20+40°C life 50.000h to 70% L70B50
 Photobiological safety class: exempt group EN62471
 Wind surface: L:283cm² F:416cm².

Download

DXF 2D
- 1130a.dxf

Montaggi
- punto2013.pdf



Code	Gear	Kg	Lumen Output-K-CRI	WTot	Colour	Surge
413748-00	CLD CELL	1.24	LED COB-2661lm-4000K-CRI>80	30 W	GRAFITE	1/2kV
413749-00	CLD CELL	1.28	LED COB-2661lm-4000K-CRI>80	30 W	GREY	1/2kV

The reported luminous flux is the flux emitted by the light source with a tolerance of ± 10% compared to the indicated value. The W tot column indicates the total wattage absorbed by the system without exceeding 10% of the indicated