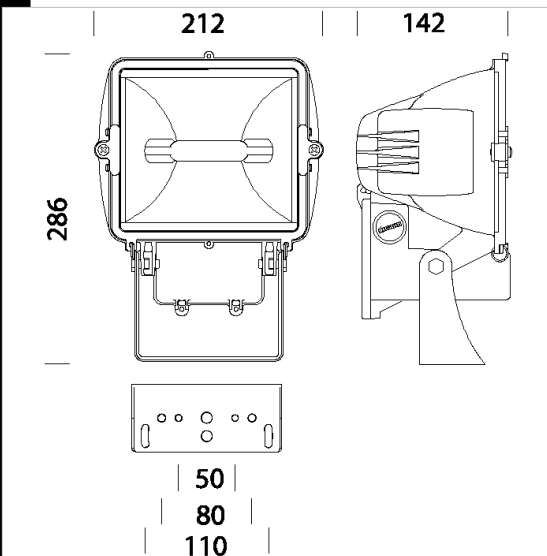


Download
DXF 2D
- 1131es.dxf

1131 Punto - Energy Saving



HOUSING: in die-cast aluminium with cooling fins.
REFLECTOR: in pre-anodised and hammered 99.85 aluminium for versions Max 500 and TS.
DIFFUSER: tempered glass, 5 mm thick, resistant to thermal shock and impacts (UNI EN 12150-1:2001 tests).
COATING: powder-coated with polyester resin in silver/black colour, resistant to corrosion and saline environments.
LAMP HOLDER: in ceramic and silvered contacts.
WIRING: electronic ballast 220V/240 50-60Hz for the versions with discharge lamps. Direct power supply 220/240V 50-60Hz for Max.500W. Wiring with flexible silicone cable. 2P+T terminal board with maximum allowable conductor cross-section of 2.5 mm².
STANDARD SUPPLY: complete with galvanised and coated bracket.
EQUIPMENT: during maintenance or lamp replacement, special safety rings keep the glass hooked to the housing.
REGULATORY STANDARD: manufactured pursuant to EN 60598 and a degree of protection IP65IK08 pursuant to EN 60529 tested after a 7 day accelerated ageing. They have class of insulation I.
 Wind surface: 300 cm².



Code	Gear	Kg	Lumen-K-CRI	WTot	Base	Colour
413741-08	CELL	2.12	JM-TS 70-6500lm-4200K-Ra 1b	85 W	Rx7s	GRAPHITE
413746-08	CELL	2.08	JM-TS 70-6500lm-4200K-Ra 1b	85 W	Rx7s	GREY

The reported luminous flux is the flux emitted by the light source with a tolerance of $\pm 10\%$ compared to the indicated value. The W tot column indicates the total wattage absorbed by the system without exceeding 10% of the indicated