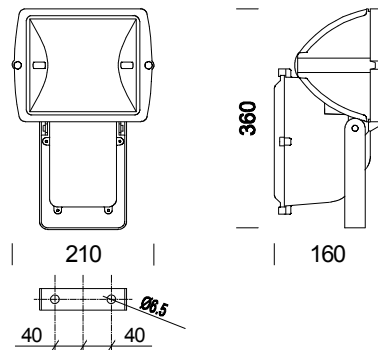


1131 Punto



Code	Gear	Kg	Beam spread	Colour	Dimensions	lamp
413746-00	CNR-L	3.50	2x25°/2x35°	al. track	361x211x163	JM-TS 70-Rx7s-6200lm-3000K-Ra 1b
413741-00	CNR-L	3.50	2x25°/2x35°	black	361x211x163	JM-TS 70-Rx7s-6200lm-3000K-Ra 1b
413747-00	CNR-L	3.50	2x27°/2x38°	al. track	361x211x163	SAP-TS 70-Rx7s-6800lm-2000K-Ra 4
413743-00	CNR-L	3.50	2x27°/2x38°	black	361x211x163	SAP-TS 70-Rx7s-6800lm-2000K-Ra 4

Housing/frame: In die-cast aluminium with wide cooling fins.

Reflector: In 2 micron thick, anodized, polished and hammered 99.85 aluminium.

Diffuser: Tempered glass, 5 mm thick, thermal shock and impact resistant. (UNI7142 tests, British standard 3193).

Painting: With polyester powder, black or sand blasted silver, upon chromate treatment, resistant to corrosive and saline environments.

Lampholder: In ceramics, with and silver-plated contacts. Socket Rx7s.

Electric gear: 230V/50Hz power supply. Silicone flexible wire terminated with quick-connect clamps in admiralty brass, with fiberglass braid, 1 sqmm cross section. Polycarbonate 2P + T terminal block with maximum allowed lead cross section of 2.5 sqmm.

Equipment: Gasket in environment-friendly material. Cable gland in f.g. nylon, Ø 1/2 gas thread. Gear box in f.g. nylon. The hinge-opening frame stays hooked to the housing.

Regulations: Produced according to applicable EN60598-1 CEI 34-21 standards, IP65IK08 degree of protection according to EN 60529 standards. This product has obtained the ENEC European certification of conformity and can be installed on normally inflammable surfaces.

Wind surface: 600 sqcm.