

2164 Radon HE - elliptical - UGR<22

Waterproof lighting fixtures are fundamental, especially if installed in series, like in industrial or infrastructural applications. This type of fixtures is required to be robust and reliable. And along with LED sources, they are the main characteristics of a lighting system that can guarantee maximum lighting efficiency and duration in time.

In the LED version, to be used also for the relamping of old lighting systems, the best waterproof luminaires offer extraordinary results in terms energy savings, lighting quality and operating life.

The fixtures of the Radon LED series by Disano, made in aluminium and tempered glass, feature all these characteristics, starting from exceptional robustness, guaranteed by superior quality materials and special manufacturing processes, such as the anti-corrosion surface treatment.

Ideal for the installation in industrial areas, Radon LED is available in addition to the low flicker mark, which are important qualities to ensure the safety and visual comfort of workers.

Radon LED is the best investment also for its very long life cycle.

Available with different optics to get the best results, Radon LED also comes in the version especially conceived for horticulture, one of the new frontiers of the LED technology.

Housing: in extruded aluminium with terminal ends in die-cast aluminium. Diffuser: 4 mm thick temperate glass resistant to thermal shock and impacts (UNI EN 12150-1:2001). Coating: the standard powder coating consists of a first metal surface pre-treatment stage of UV-stabilised, corrosion and salt resistant polyester powder coating. Standard supply: complete with mounting bracket with standard eyebolt to install the fixture as a suspension lamp, including stainless steel screws, plug-socket connector for fast and easy installation without any need to open the lamp.

LED: Power factor: 0,95. Coating compliant with UNI EN ISO 9227 Corrosion tests in artificial atmospheres for aggressive environments. On request: ideal version for spaces with a high concentration of particular volatile chemicals around the luminaires.

Optics : in high-performance metallic V0 polycarbonate.

Photobiological safety class: Exempt group. Allowable ambient temperature: - 30°C to + 40°C

Luminous flux maintenance: L90B10 - 50.000h - with pass-through wiring for continuous line mounting: subcode -0072.

Download

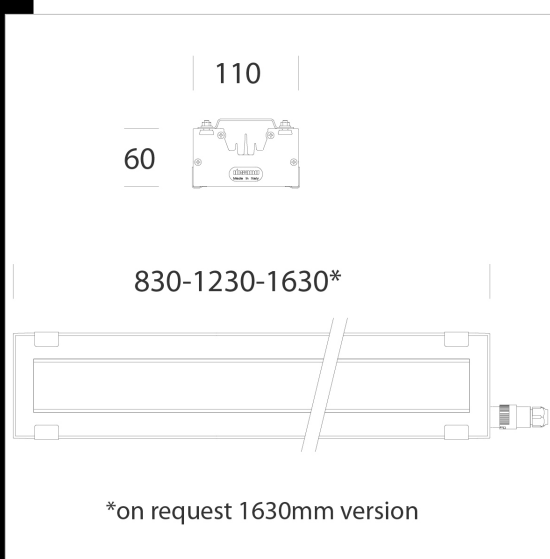
DXF 2D
- radon.dxf

3DS
- disano_2164_radon_1230.3ds
- disano_2164_radon_1630.3ds
- disano_2164_radon_830.3ds

3DM
- disano_2164_radon_830.3dm
- disano_2164_radon_1630.3dm
- disano_2164_radon_1230.3dm

Montaggi
- radon 02-21.pdf

BIM
- 2164 Radon HE - elliptical - UGR22 - 20200224.zip



Code	Gear	Kg	Lumen Output-K-CRI	WTot	Colour
413430-00	CLD	3,84	LED-6216lm-4000K-CRI 80	53 W	GRAPHITE
413431-00	CLD	3,84	LED-6216lm-4000K-CRI 80	53 W	GREY
413432-00	CLD	5,25	LED-9324lm-4000K-CRI 80	80 W	GRAPHITE
413433-00	CLD	5,25	LED-9324lm-4000K-CRI 80	80 W	GREY
413430-07	CLD-E	4,50	LED-6216lm-4000K-CRI 80	53 W	GRAPHITE
413431-07	CLD-E	4,50	LED-6216lm-4000K-CRI 80	53 W	GREY
413432-07	CLD-E	5,90	LED-9324lm-4000K-CRI 80	80 W	GRAPHITE
413433-07	CLD-E	5,90	LED-9324lm-4000K-CRI 80	80 W	GREY

Accessori



- 591 adjustable bracket



- 2518 simple suspension

The reported luminous flux is the flux emitted by the light source with a tolerance of $\pm 10\%$ compared to the indicated value. The W tot column indicates the total wattage absorbed by the system without exceeding 10% of the indicated