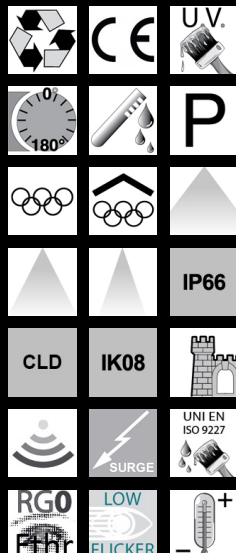


2152 Radon HE - symmetric 1 MODULE

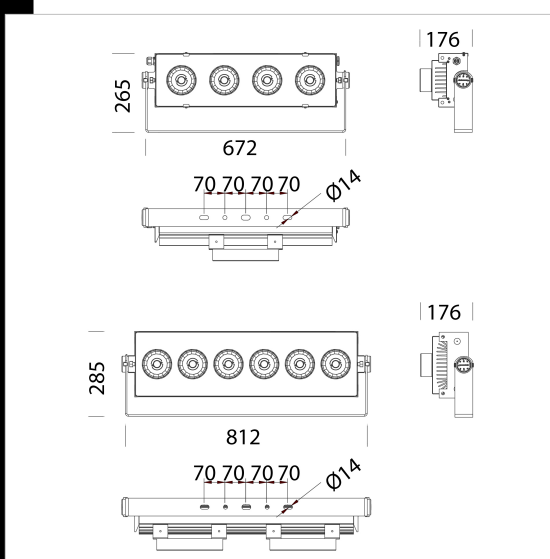


Housing: in extruded aluminium with terminal ends in die-cast aluminium.
 Reflector: in matt aluminium, high efficiency and anti-glare.
 Diffuser: 4 mm thick temperate glass resistant to thermal shock and impacts (UNI EN 12150-1:2001).
 Coating: the standard powder coating consists of a first metal surface pre-treatment stage of UV-stabilised, corrosion and salt resistant polyester powder coating
 Equipment: complete with galvanised and coated bracket. Silicone rubber gasket; external screws and bolts in stainless steel; air recirculation valve.
 Airtight connector for quick installation with no need to open the fixture.
 Wiring: 220-240V 50/60Hz power supply; with IP66 driver applied to the fixture.
 Electronic safety device to protect the LED module and the related ballast compliant with EN 61547.
 It works in two modes:
 - differential mode: surge between power cables and between the phase and neutral.
 - common mode: surge between power, L/N and ground cables or between the fixture's body if it is of class II and installed on a metal pole.

On request:
 - protection up to 10KV.
 - Possibility of centralized lighting point control or via external presence/lighting sensors
 - Coating compliant with UNI EN ISO 9227 Corrosion tests in artificial atmospheres for aggressive environments
 - Version CLD D-D (DALI) wiring with subcode -0041: thanks to pre-programmed settings or a software programme, this type of wiring allows accurate light emission dimming.

LED: Luminous flux maintenance 80%: 50.000h (L80B20).
 Power factor 0.95.
 278W: Ta indoor = -40°C ÷ +35° / Ta outdoor = -40°C ÷ +45°
 346W: Ta indoor = -40°C ÷ +35° / Ta outdoor = -40°C ÷ +45°
 Wind surface:
 4 COB : L=915cm² – F1182cm²
 6 COB : L=1205cm² – F=1752cm²

Download
 DXF 2D
 - 2152.dxf
 Montaggi
 - radon 04-21.pdf



Code	Gear	Kg	Lumen Output-K-CRI	WTot	Colour	Surge
413320-00	CLD	9,93	LED COB-43660lm-4000K-20°-CRI70	278 W	GRAPHITE	4/6kV
413321-00	CLD	9,35	LED COB-43778lm-4000K-40°-CRI70	278 W	GRAPHITE	4/6kV
413322-00	CLD	9,93	LED COB-43540lm-4000K-60°-CRI70	278 W	GRAPHITE	4/6kV
413323-00	CLD	15,96	LED COB-54194lm-4000K-20°-CRI70	346 W	GRAPHITE	4/6kV
413324-00	CLD	16,94	LED COB-54304lm-4000K-40°-CRI70	346 W	GRAPHITE	4/6kV
413325-00	CLD	16,94	LED COB-54064lm-4000K-60°-CRI70	346 W	GRAPHITE	4/6kV

Accessori



The reported luminous flux is the flux emitted by the light source with a tolerance of ± 10% compared to the indicated value. The W tot column indicates the total wattage absorbed by the system without exceeding 10% of the indicated