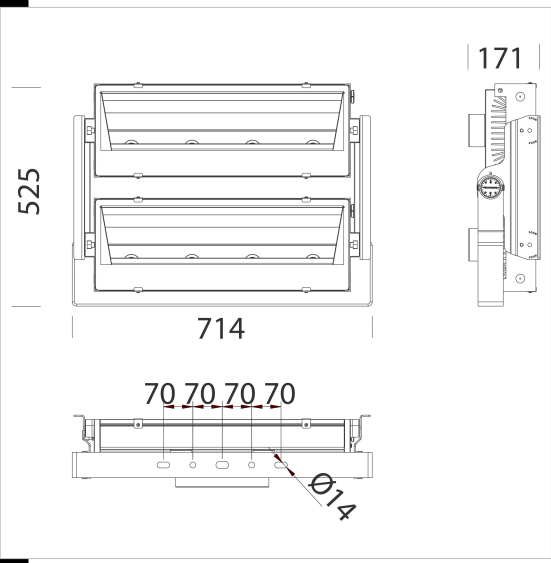


Download
DXF 2D
- 2151.dxf
Montaggi
- radon 04-21.pdf

2151 Radon HE - asymmetric 2 MODULES



Housing: in extruded aluminium with terminal ends in die-cast aluminium.
Reflector: in matt aluminium, high efficiency and anti-glare.
Diffuser: 4 mm thick temperate glass resistant to thermal shock and impacts (UNI EN 12150-1:2001).
Coating: the standard powder coating consists of a first metal surface pre-treatment stage of UV-stabilised, corrosion and salt resistant polyester powder coating
Equipment: complete with galvanised and coated bracket. Silicone rubber gasket; external screws and bolts in stainless steel; air recirculation valve. Airtight connector for quick installation with no need to open the fixture.
Wiring: 220-240V 50/60Hz power supply; with IP66 driver applied to the fixture.
Structure 2 LED modules : in painted steel with bracket for spotlight mounting. It also allows pointing the individual module at an angle of $\pm 20^\circ$ to its horizontal axis (Tilting angle of 5°).
Electronic safety device to protect the LED module and the related ballast compliant with EN 61547.
It works in two modes:
- differential mode: surge between power cables and between the phase and neutral.
- common mode: surge between power, L/N and ground cables or between the fixture's body if it is of class II and installed on a metal pole.



On request:
- protection up to 10KV.
- Possibility of centralized lighting point control or via external presence/lighting sensors
- Coating compliant with UNI EN ISO 9227 Corrosion tests in artificial atmospheres for aggressive environments
- Version CLD D-D (DALI) wiring with subcode -0041: thanks to pre-programmed settings or a software programme, this type of wiring allows accurate light emission dimming.
LED: Luminous flux maintenance 80%: 50.000h (L80B20).
Power factor 0.95.
484W: Ta indoor = $-40^\circ\text{C} \div +30^\circ$ / Ta outdoor = $-40^\circ\text{C} \div +40^\circ$
556W: Ta indoor = $-40^\circ\text{C} \div +30^\circ$ / Ta outdoor = $-40^\circ\text{C} \div +40^\circ$
Wind surface: L=985cm² – F3299cm²

Code	Gear	Kg	Lumen Output-K-CRI	WTot	Colour	Surge
413310-00	CLD	25.21	LED COB-71132lm-4000K-50°-CRI70	484 W	GRAPHITE	4/6kV
413311-00	CLD	23.53	LED COB-82500lm-4000K-50°-CRI70	556 W	GRAPHITE	4/6kV

Accessories



The reported luminous flux is the flux emitted by the light source with a tolerance of $\pm 10\%$ compared to the indicated value. The W tot column indicates the total wattage absorbed by the system without exceeding 10% of the indicated