

### 1995 Gallery - 2 lamp narrow beam

Housing: In AISI 304 stainless steel drawn in a single high mechanical resistance piece. Complete with frame and stainless steel catches.

Reflector: Symmetric in aluminium 99.85, 1 lamp version, narrow beam.

Diffusor: Hardened glass thermal shock and impact resistant (UNI 7142, British Standard 3193 tests)

Lampholder: In ceramics with silver-plated contacts.

Electric gear: 230V/50Hz power supply. Silicone wire terminated with clamps in admiralty brass, with fiberglass braid, 1.5 sqmm cross section. Nylon 2P+T terminal block with maximum allowed lead cross section of 4 sqmm.

Equipment: Silicone rubber gasket. Cable gland in f.g. nylon Ø ½" gas thread. Complete with bracket to fix to ceiling. Anti-condensation valve with Teflon filter.

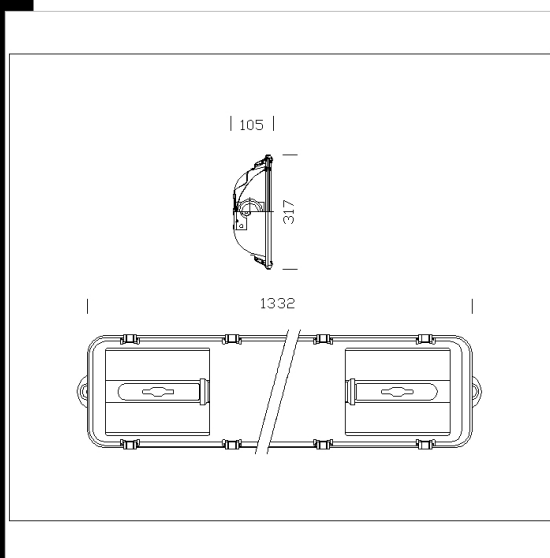
Regulations: Produced according to applicable EN60598-1 CEI 34-21 standards, IP65IK08 degree of protection according to EN 60529 standards.

Wind surface: 4100 sqcm.

#### Download

DXF 2D  
- 1995.dxf

Montaggi  
- gallery.pdf  
- valvola.dxf



Code	Gear	Kg	Watt	Base	Lamps	Colour
413213-00	CNR	22,00	SAP-T 2x250	E40	28000lm-2000K-Ra 4	NATURAL
413211-00	CNR	17,50	SAP-T 2x100	E40	9000lm-2000K-Ra 4	NATURAL
413212-00	CNR	18,50	SAP-T 2x150	E40	15000lm-2000K-Ra 4	NATURAL

#### Accessories



- 996 adjustable bracket