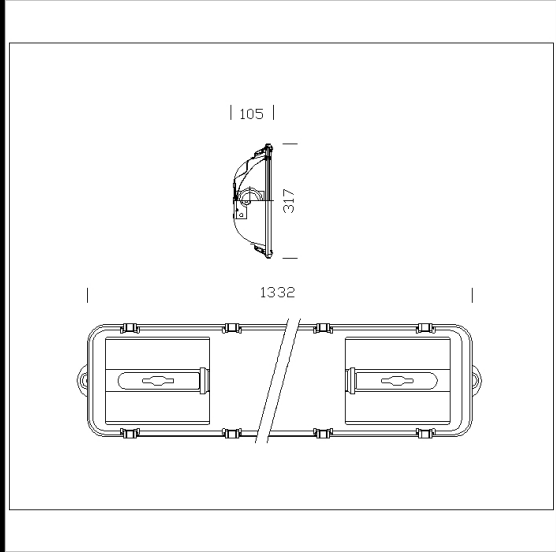


1995 Gallery - 2 lamp narrow beam

Housing: In AISI 304 stainless steel drawn in a single high mechanical resistance piece. Complete with frame and stainless steel catches.
 Reflector: Symmetric in aluminium 99.85, 1 lamp version, narrow beam.
 Diffusor: Hardened glass thermal shock and impact resistant (UNI 7142, British Standard 3193 tests)
 Lampholder: In ceramics with silver-plated contacts.
 Electric gear: 230V/50Hz power supply. Silicone wire terminated with clamps in admiralty brass, with fiberglass braid, 1.5 sqmm cross section. Nylon 2P+T terminal block with maximum allowed lead cross section of 4 sqmm.
 Equipment: Silicone rubber gasket. Cable gland in f.g. nylon Ø ½" gas thread. Complete with bracket to fix to ceiling. Anti-condensation valve with Teflon filter.
 Regulations: Produced according to applicable EN60598-1 CEI 34-21 standards, IP65IK08 degree of protection according to EN 60529 standards. Wind surface: 4100 sqcm.

Download

- DXF 2D
- 1995.dxf
- Montaggi
- gallery.pdf
- valvola.dxf



Code	Gear	Kg	Lumen-K-CRI	WTot	Base	Colour
413212-00	CNR	18.50	SAP-T 2x150-15000lm-2000K-Ra 4	314 W	E40	NATURALE
413211-00	CNR	17.50	SAP-T 2x100-9000lm-2000K-Ra 4	227 W	E40	NATURALE

Accessories



- 996 adjustable bracket

The reported luminous flux is the flux emitted by the light source with a tolerance of ± 10% compared to the indicated value. The W tot column indicates the total wattage absorbed by the system without exceeding 10% of the indicated