



Download

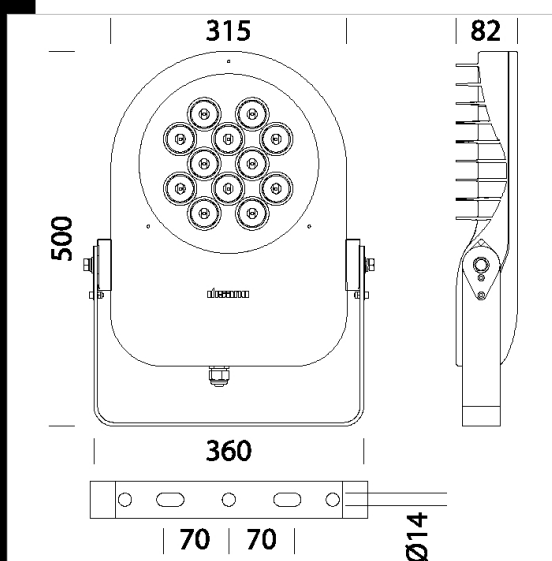
- DXF 2D
- 1738i.dxf
- 3DS
- disano_1738_cripto_big_3ds
- 3DM
- disano_1738_cripto_big_3dm
- Montaggi
- crypto 07-20.pdf
- BIM
- 1738 Cripto big - 24°.zip



1738 Cripto big - 24°

New technical tools are capable of creating a unique symbiosis between light and architecture. Technical advancements and the use of LEDs enable to highlight historical monuments or new infrastructure with minimally invasive systems without altering original colours or materials. With light we can therefore illuminate and enhance cultural heritage and landmarks to help define the identity of a place. Disano presents Cripto, a spotlight designed to be a possible retrofit solution for more classic models. The excellent performance of this spotlight in terms of energy savings and luminous efficiency combine with a long life of 80000 hours and materials with IP66 protection for outdoor installation. Its advanced technology and functional design are conceived to reduce consumptions and fulfil the increasing need to replace obsolete fixtures and meet the growing attention towards energy savings. HOUSING: in die-cast aluminium with cooling fins. DIFFUSER: tempered glass, 4 mm thick, resistant to thermal shock and impacts. Coating: the standard powder coating consists of a first metal surface pre-treatment stage and of single layer of UV-stabilised, corrosion and salt resistant polyester powder coating. On request: coating compliant with UNI EN ISO 9227 Corrosion tests in artificial atmospheres for aggressive environments. STANDARD SUPPLY: complete with galvanised and coated bracket. Electronic safety device to protect the LED module and the related ballast compliant with EN 61547. It works in two modes: - differential mode: surge between power cables and between the phase and neutral. - common mode: surge between power, L/N and ground cables or between the fixture's body if it is of class II and installed on a metal pole. Upon request: protection up to 10KV. Upon request: with dimmable power supply 1-10V.

Optics: V2 polycarbonate with micro-faceted finish Regulations: Produced according to applicable EN60598-1 CEI 34-21 standards, IP66IK08 degree of protection according to EN 60529 standards. These products can be installed on normally inflammable surfaces. Photobiological safety class: exempt group EN62471 Power factor: >= 0.92 Luminous flux maintenance 80%: 80000h (L80B10) Wind surface: 1260cm².



Code	Gear	Kg	Lumen Output-K-CRI	WTot	Colour	Surge
413180-00	CLD	6,88	LED-6511lm-4000K-CRI 80	90 W	GRAPHITE	2/4kV
413181-00	CLD	6,86	LED-6511lm-4000K-CRI 80	90 W	GREY9006	2/4kV

Accessori



- 306 protection guard - Cripto

The reported luminous flux is the flux emitted by the light source with a tolerance of ± 10% compared to the indicated value. The W tot column indicates the total wattage absorbed by the system without exceeding 10% of the indicated