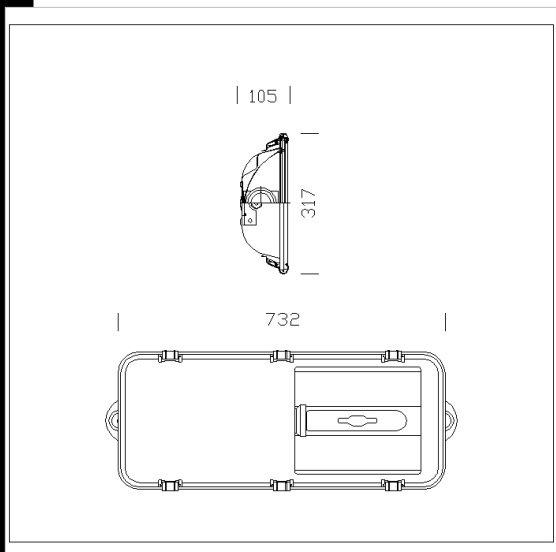


### 1992 Gallery - 1 lamp FS

Housing: In AISI 304 stainless steel drawn in a single high mechanical resistance piece. Complete with frame and stainless steel catches.  
 Reflector: Symmetric in hammered 99.85 aluminium, 1 lamp, narrow beam.  
 Diffusor: Hardened glass thermal shock and impact resistant (UNI 7142, British Standard 3193 tests)  
 Lampholder: In ceramics with silver-plated contacts.  
 Electric gear: 230V/50Hz power supply. Silicone wire terminated with clamps in admiralty brass, with fiberglass braid, 1.5 sqmm cross section. Nylon 2P+T terminal block with maximum allowed lead cross section of 4 sqmm.  
 Equipment: Silicone rubber gasket. Cable gland in f.g. nylon Ø ½" gas thread. Complete with bracket to fix to ceiling. Anti-condensation valve.  
 Regulations: Produced according to applicable EN60598-1 CEI 34 - 21 standards, IP65IK08 degree of protection according to EN 60529 standards.  
 Wind surface: 2250 sqcm.

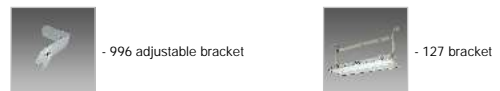


**Download**

- DXF 2D  
- 1992.dxf
- 3DS  
- 1994\_gallery.3ds
- 3DM  
- 1994\_gallery.3dm
- Montaggi  
- Gallery.pdf  
- valvola.dxf

Code	Gear	Kg	Lumen-K-CRI	WTot	Base	Colour
413114-00	CNR	12.16	SAP-T 400---	436 W	E40	NATURAL
413113-14	CNR	12.50	SAP-T 250-33000lm-2000 K-Ra 4	276 W	E40	NATURAL
413113-00	CNR	10.16	SAP-T 250-33000lm-2000 K-Ra 4	277 W	E40	NATURAL
413114-14	CNR	11.00	SAP-T 400---	0 W	E40	NATURAL
413111-00	CNR	8.29	SAP-T 100-9000lm-2000K-Ra 4	114 W	E40	NATURAL
413112-14	CNR	11.13	SAP-T 150-17200lm-2000K-Ra 4	166 W	E40	NATURAL
413111-14	CNR	9.97	SAP-T 100-9000lm-2000K-Ra 4	113 W	E40	NATURAL
413112-00	CNR	8.29	SAP-T 150-17200lm-2000K-Ra 4	157 W	E40	NATURAL

**Accessories**



The reported luminous flux is the flux emitted by the light source with a tolerance of ± 10% compared to the indicated value. The W tot column indicates the total wattage absorbed by the system without exceeding 10% of the indicated