

## 1700 Cripto micro - COB

Disano presents a spotlight designed to be a possible retrofit solution for more classic models.

The excellent performance of this spotlight in terms of energy savings and luminous efficiency combine with a long life of 50000 hours and materials with IP66 protection for outdoor installation.

Its advanced technology and functional design are conceived to reduce consumptions and fulfil the increasing need to replace obsolete fixtures and meet the growing attention towards energy savings.

Housing/Chassis: in die-cast aluminium with cooling fins.

Diffuser: in tempered glass, 4 mm thick, resistant to thermal shocks and impacts.

Coating: the standard powder coating consists of a first metal surface pre-treatment stage and of single layer of UV-stabilised, corrosion and salt resistant polyester powder coating. On request: coating compliant with UNI EN ISO 9227 Corrosion tests in artificial atmospheres for aggressive environments. Equipment: complete with zinc coated bracket and power cable. Electronic safety device to protect the LED module and the related ballast compliant with EN 61547.

Surge protection 1/2kV

It works in two modes: - differential mode: surge between power cables and between the phase and neutral. - common mode: surge between power, L/N and ground cables or between the fixture's body if it is of class II and installed on a metal pole. Upon request: 1-10V dimmer, for 0 to 100% dimming.

Reflector: in pre-anodized aluminium.

Standards: manufactured pursuant to EN 60598-1-CEI 34.21 and with a degree of protection pursuant to EN 60529. Suitable for installation on normally inflammable surfaces.

Photobiological risk: exempt, pursuant to EN62471.

Power factor:  $\geq 0.92$

80% luminous flux maintenance at 80%: 50000h (L80B20)

Wind surface: L:135cm<sup>2</sup> F:286cm<sup>2</sup>.

### Download

DXF 2D

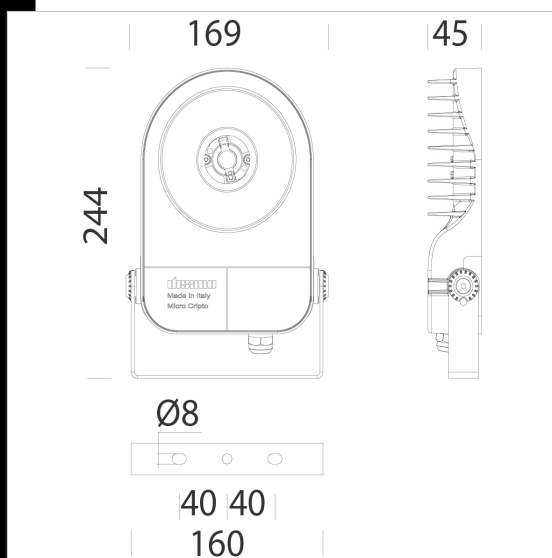
- 1700n.dxf

Montaggi

- MicroCripto.pdf

BIM

- 1700 Cripto micro - COB - 20200519.zip



Code	Gear	Kg	Lumen Output-K-CRI	WTot	Colour	Surge
412960-00	CLD	1,11	LED COB-3023lm-4000K-CRI 90	26 W	GRAPHITE	1/2kV
412963-00	CLD	1,28	LED COB-3023lm-4000K-CRI 90	26 W	WHITE	1/2kV
412962-00	CLD	1,26	LED COB-3755lm-4000K-CRI 90	32 W	GRAPHITE	1/2kV
412964-00	CLD	1,28	LED COB-3755lm-4000K-CRI 90	32 W	WHITE	1/2kV
412960-39	CLD	1,26	LED COB-2811lm-3000K-CRI 90	26 W	GRAPHITE	1/2kV
412963-39	CLD	1,26	LED COB-2811lm-3000K-CRI 90	26 W	WHITE	1/2kV
412962-39	CLD	1,28	LED COB-3492lm-3000K-CRI 90	32 W	GRAPHITE	1/2kV
412964-39	CLD	1,26	LED COB-3492lm-3000K-CRI 90	32 W	WHITE	1/2kV
412962-19	CLD	1,16	LED COB-2661lm-4000K-CRI 80	30 W	GRAPHITE	1/2kV
412964-19	CLD	1,10	LED COB-2661lm-4000K-CRI 80	30 W	WHITE	1/2kV

### Accessori



- 339 connector

The reported luminous flux is the flux emitted by the light source with a tolerance of  $\pm 10\%$  compared to the indicated value. The W tot column indicates the total wattage absorbed by the system without exceeding 10% of the indicated